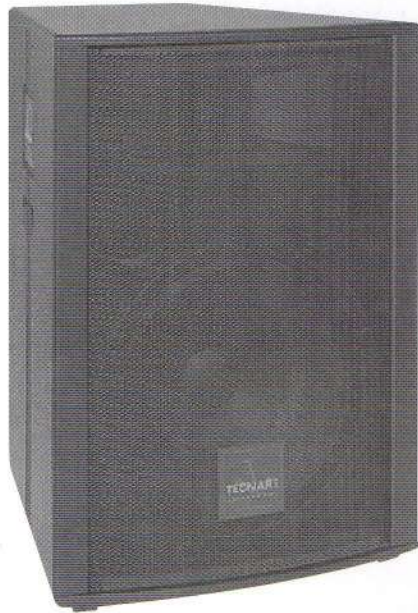




Tecnare TS 151



Description:

TS151 is a two way trapezoidal full range loudspeaker. Passively crossovered, this model is CAD tuned with a little ripple to enhance the bass response. The 3" voice coil 15" combines a very good low end performance with an excellent linearity up to 2.5 KHz, from which the 1" compression driver, coupled to a 90°x40° exponential horn, responds with a extremely flat curve. The TS151 delivers very high pressure level and it's better recommended for short throw applications. The cabinet is CMC machined and made of Baltic birch plywood, painted in black texture finish. Flying hardware and a recessed floor stand socket are included.

Applications:

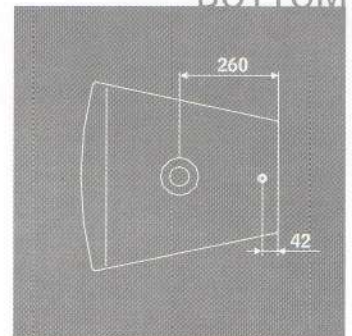
The TS151 is designed for several audio applications.

- Small mobile audio
- Disco or live music installations
- Sports arena

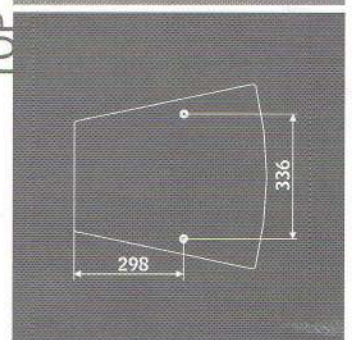
Technical specifications:

Frequency Response (Hz)	53 Hz-19 KHz ±3 dB
Power Handling (Watts)	400 W RMS
Sensitivity	101 dB (1 watt / 1 meter)
Nominal peak	127 dB
Coverage angle	90° horizontal 40° vertical
Crossover	2,2 KHz passive, assymetrical slope
Impedance	8 Ohm
Drivers	LF: 1x15" HF: 1x1" + exponential horn
Connectors	2x4 pin speakon
Dimensions	Trapezoidal 69x50F/29,5Rx50 cm
Weight	33 Kg

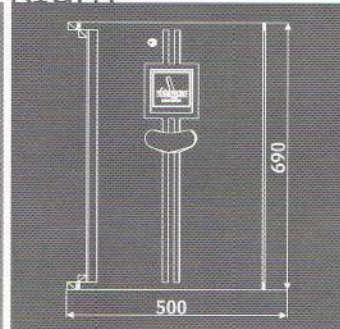
BOTTOM



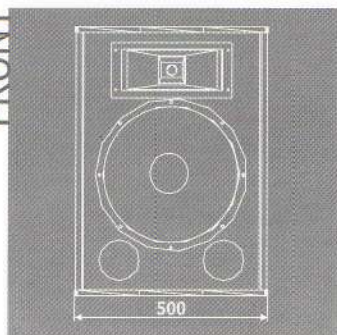
TOP



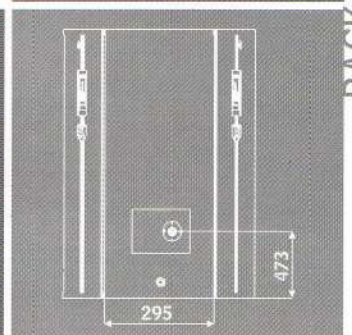
RIGHT



FRONT

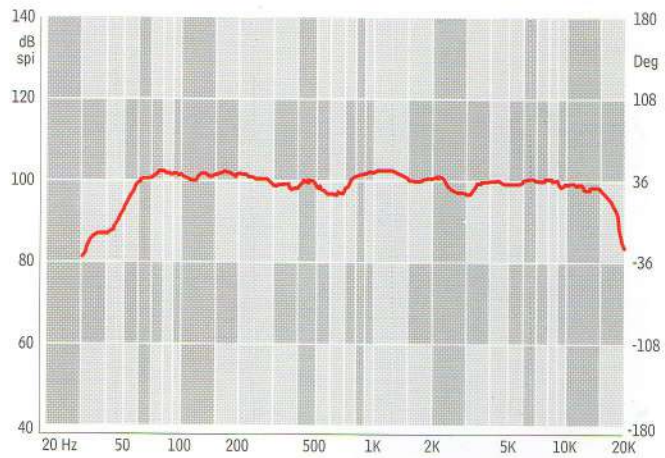


BACK

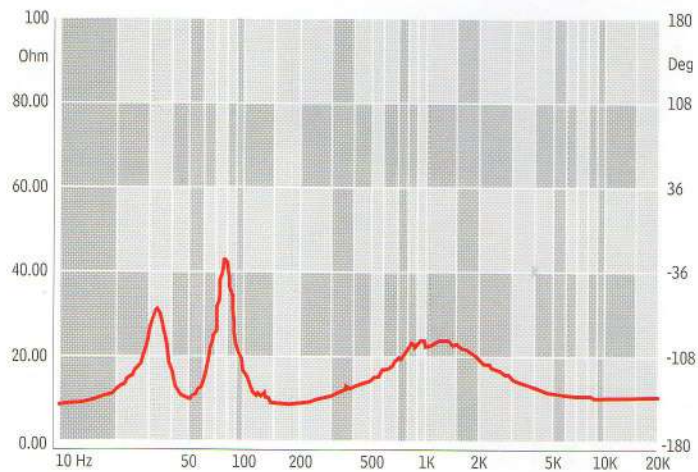


Tecnare **TS 151**

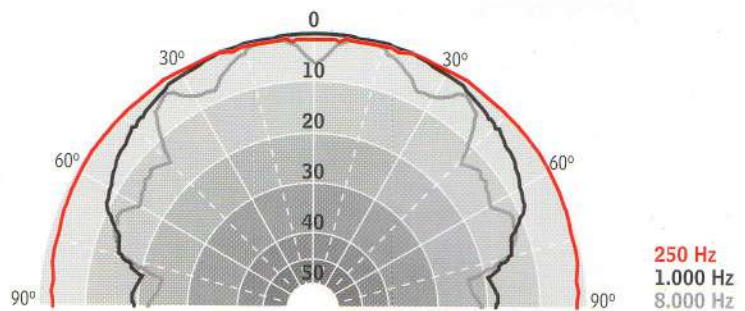
D i a g r a m :
F r e q u e n c y
r e s p o n s e
c u r v e



D i a g r a m :
I m p e d a n c e
c u r v e



D i a g r a m :
H o r i z o n t a l
p o l a r
p a t t e r n



Is a™ designed and
manufactured in Spain by



Pº Ind. Alparrache, nave 70 - 28600 NAVALCARNERO (Madrid) SPAIN
Phone: 34 91 8112563 Fax: 34 91 8112563

<http://www.tecnare.com>
e-mail: exel@tecnare.com