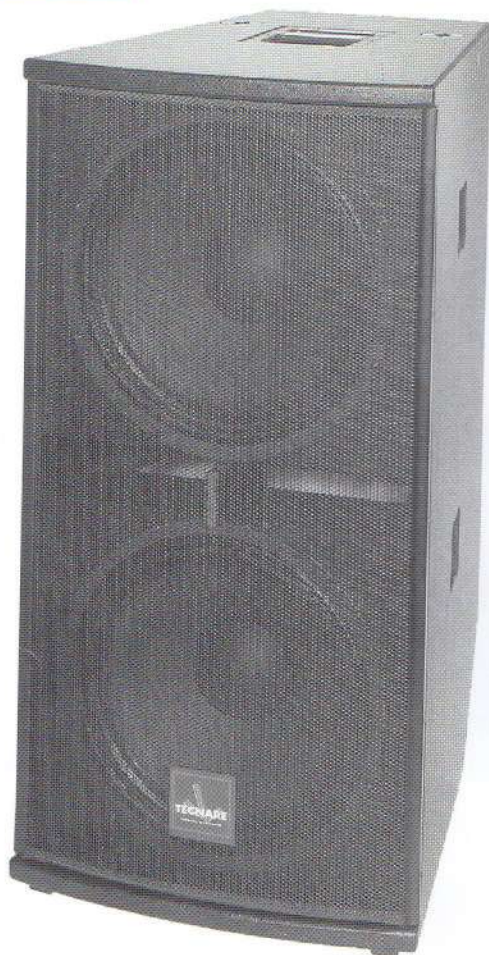




Tecnare L 218



Description:

The L218 is a trapezoidal double 2x18" vented subbass cabinet. It has been designed for all kind sound reinforcement, short, mid or long throw. The response given with this subwoofer is very deep, starting at 35 Hz. The cabinet is made of birch plywood, painted in weather proof texture black finish, incorporating castors as standard. The cabinet has been tuned using the latest cad techniques.

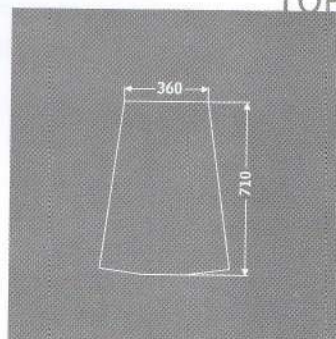
Applications:

Design file applications: all kind of subbass reinforcement.

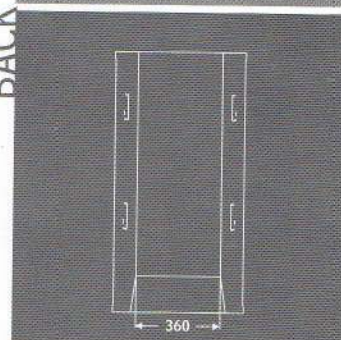
Technical specifications:

Frequency Response (Hz)	35 Hz-500Hz
Power Handling (Watts)	1200 W RMS
Sensitivity	101 dB (1 watt / 1 meter)
Nominal peak	132 dB
Coverage angle	N/A
Crossover	Up to 500 Hz
Impedance	4 Ohm
Drivers	2x18"
Connectors	2x4 pin speakon
Dimensions	108,5x56,5Fx36Rx71 cm (HxWxD)
Weight	79 Kg

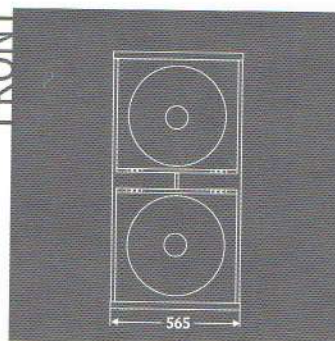
TOP



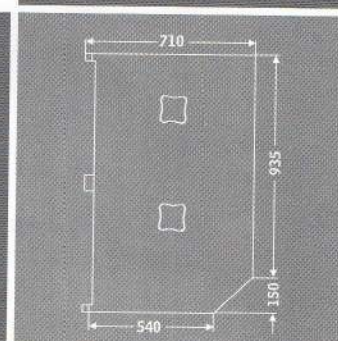
BACK



FRONT

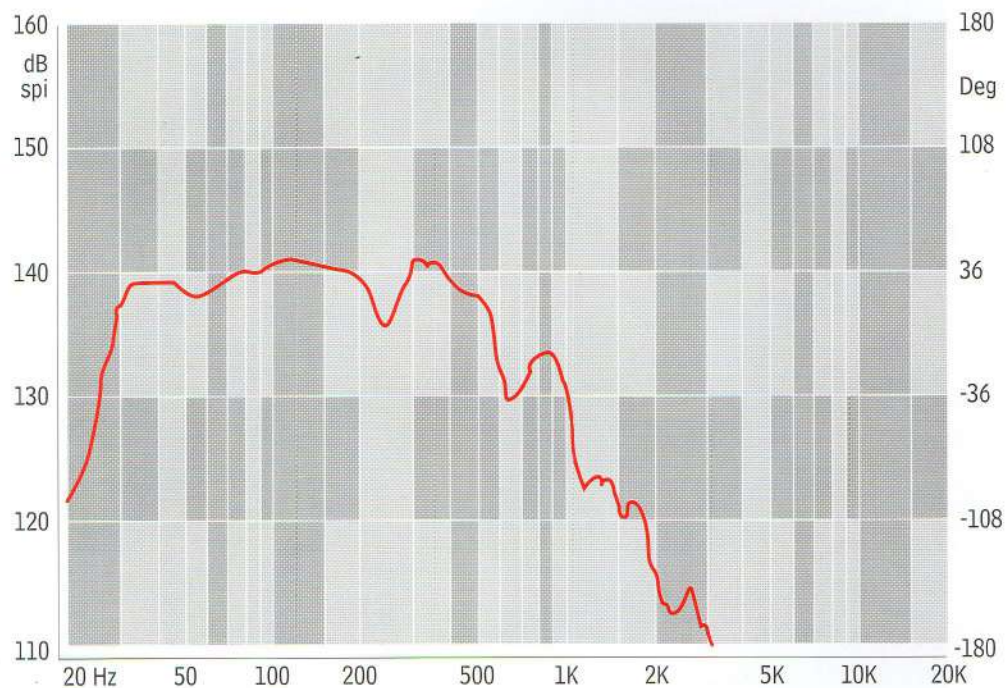


RIGHT



Tecnare L 218

Diagram: Frequency response curve



Is a™ designed and
manufactured in Spain by



Pº Ind. Alparrache, nave 70 - 28600 NAVALCARNERO (Madrid) SPAIN
Phone: 34 91 8112563 Fax: 34 91 8112563

<http://www.tecnare.com>
e-mail: exel@tecnare.com