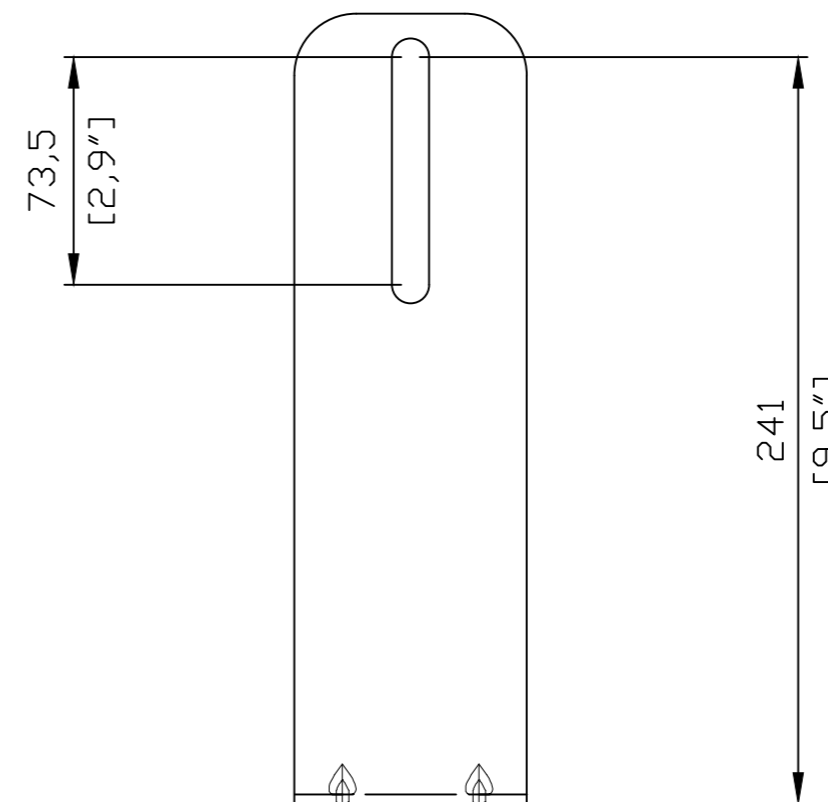
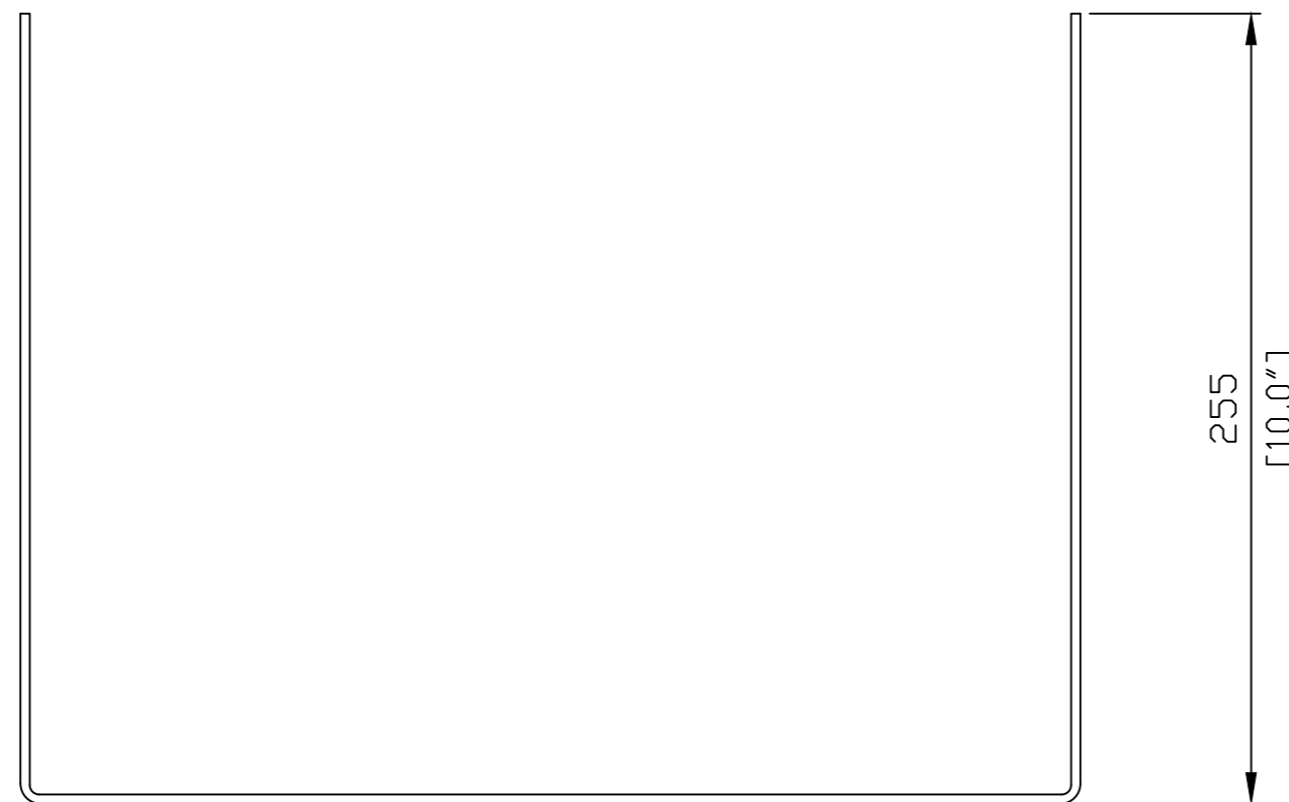
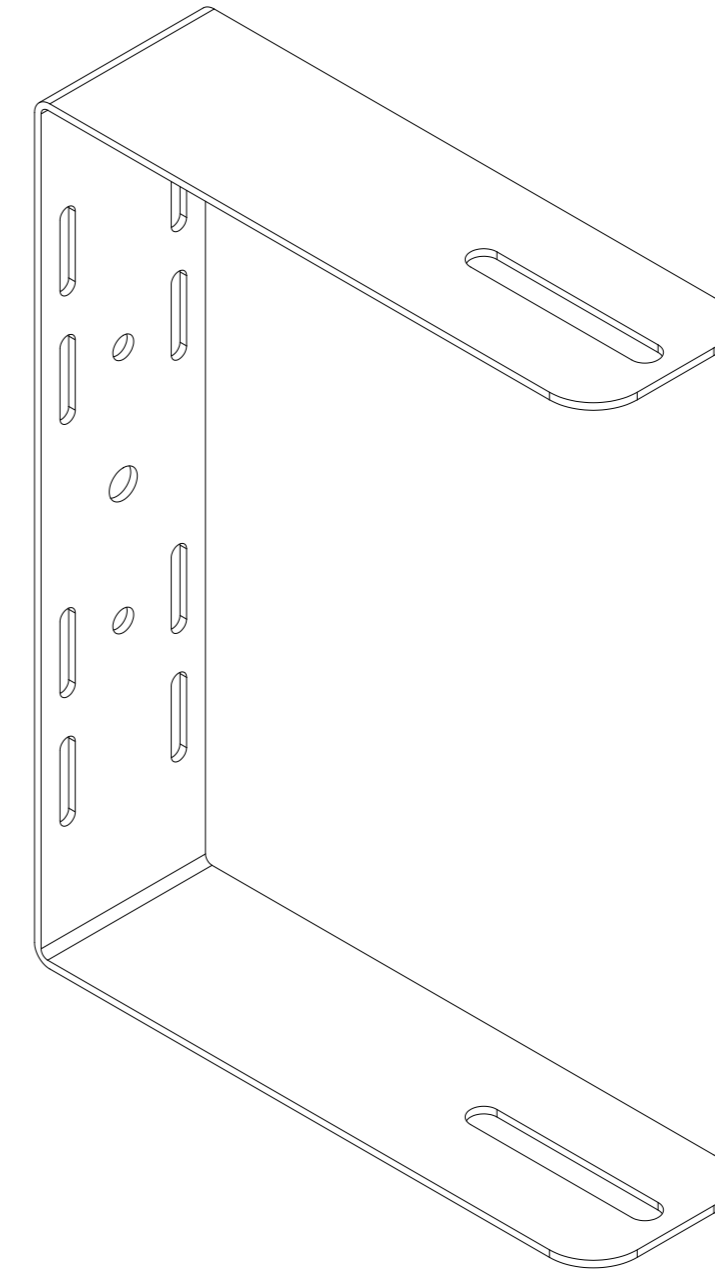
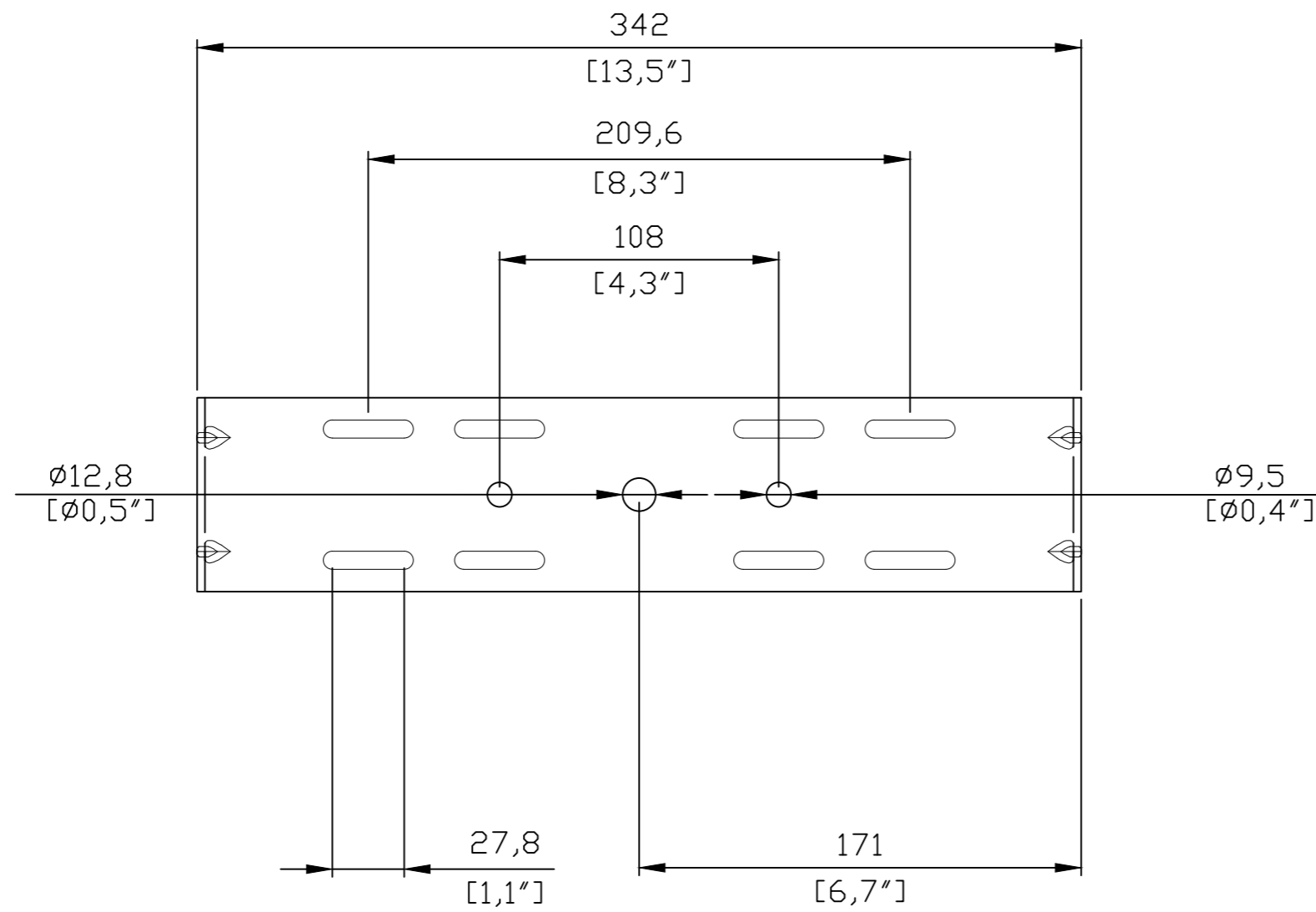
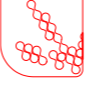


FIRST ANGLE PROJECTION



| | | | | | |
|--|-------------------|--|-------------------------|--|--------------|
| Required Finish: Matt Black Negro Mate | Scale: 1:1 | ALL DIMENSIONS IN MILLIMETRES / INCH | | | DO NOT SCALE |
| Drawn by: PC | Checked By: PC | Drawing Number 026:20: | Date drawn: 11/02/16 | Material Spec. Steel - Acero | |
|  www.tecnare.com | | EXEL ACOUSTIC SL C/Encinar 282 Casarrubios del Monte 45950 - TOLEDO | | Part Name IBZA6- U-Bracket / Soporte en "U" | |
| | | Part Number TUB-16 | | Sheet 1 of 1 | |

©EXEL ACOUSTIC SL (DATE AS SHOWN). THIS DRAWING CONTAINS PROPRIETARY INFORMATION OF EXEL ACOUSTICS SL AND IS TENDERED SUBJECT TO THE FOLLOWING CONDITIONS: THE INFORMATION BE RETAINED IN CONFIDENCE, NOT BE REPRODUCED OR COPIED, AND NOT BE USED OR INCORPORATED IN ANY PRODUCT, UNLESS PERMISSION IS OBTAINED IN WRITING FROM EXEL ACOUSTICS SL

A2