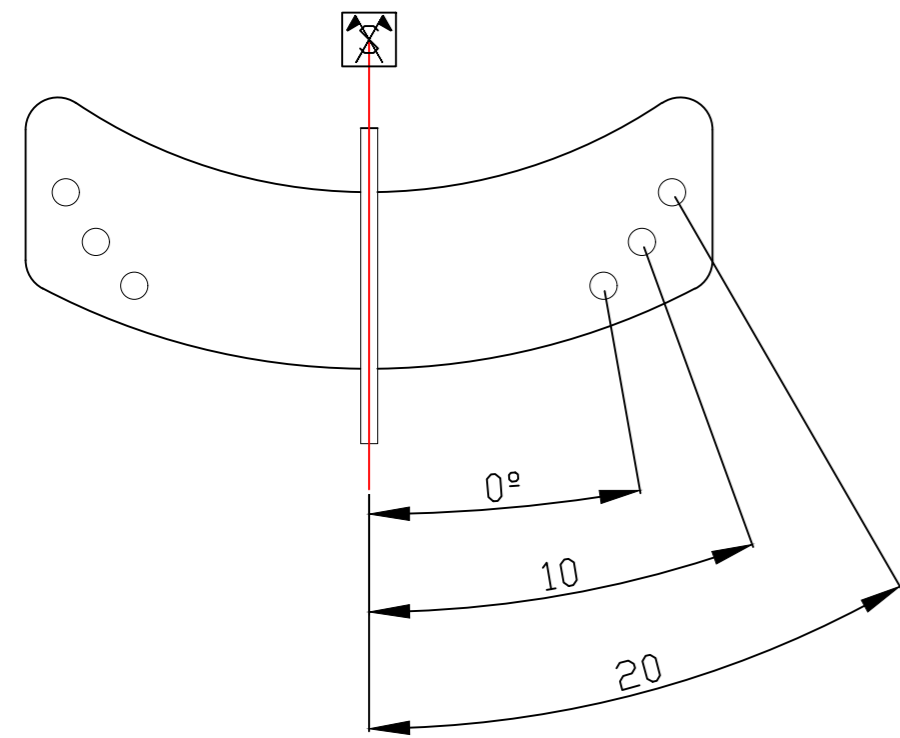
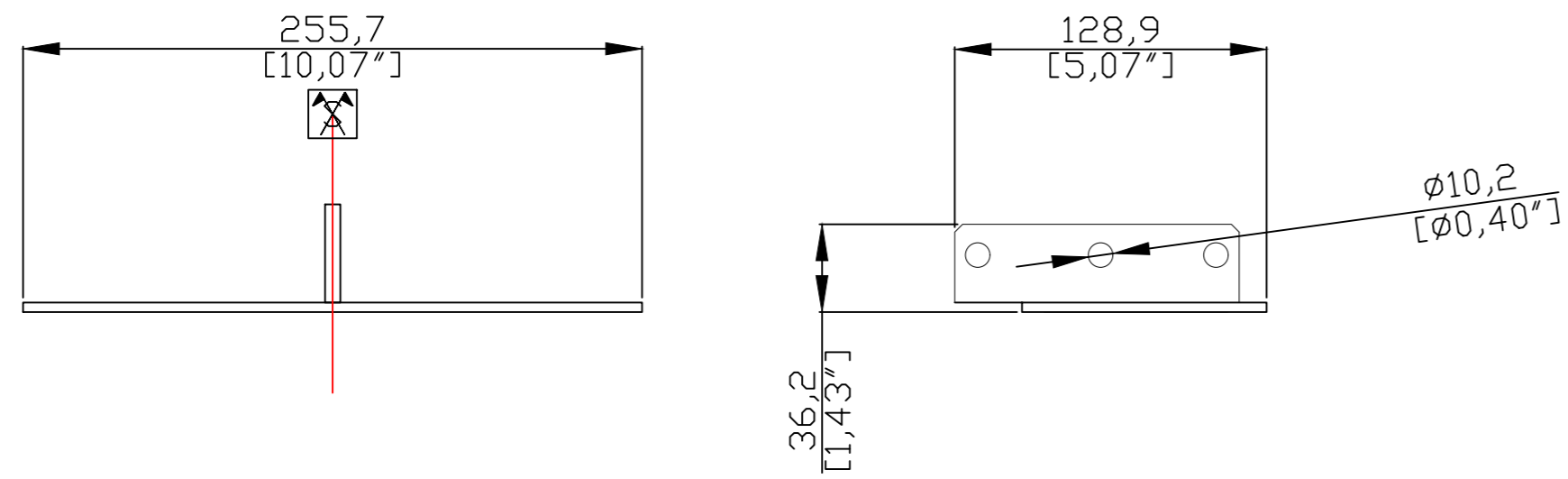


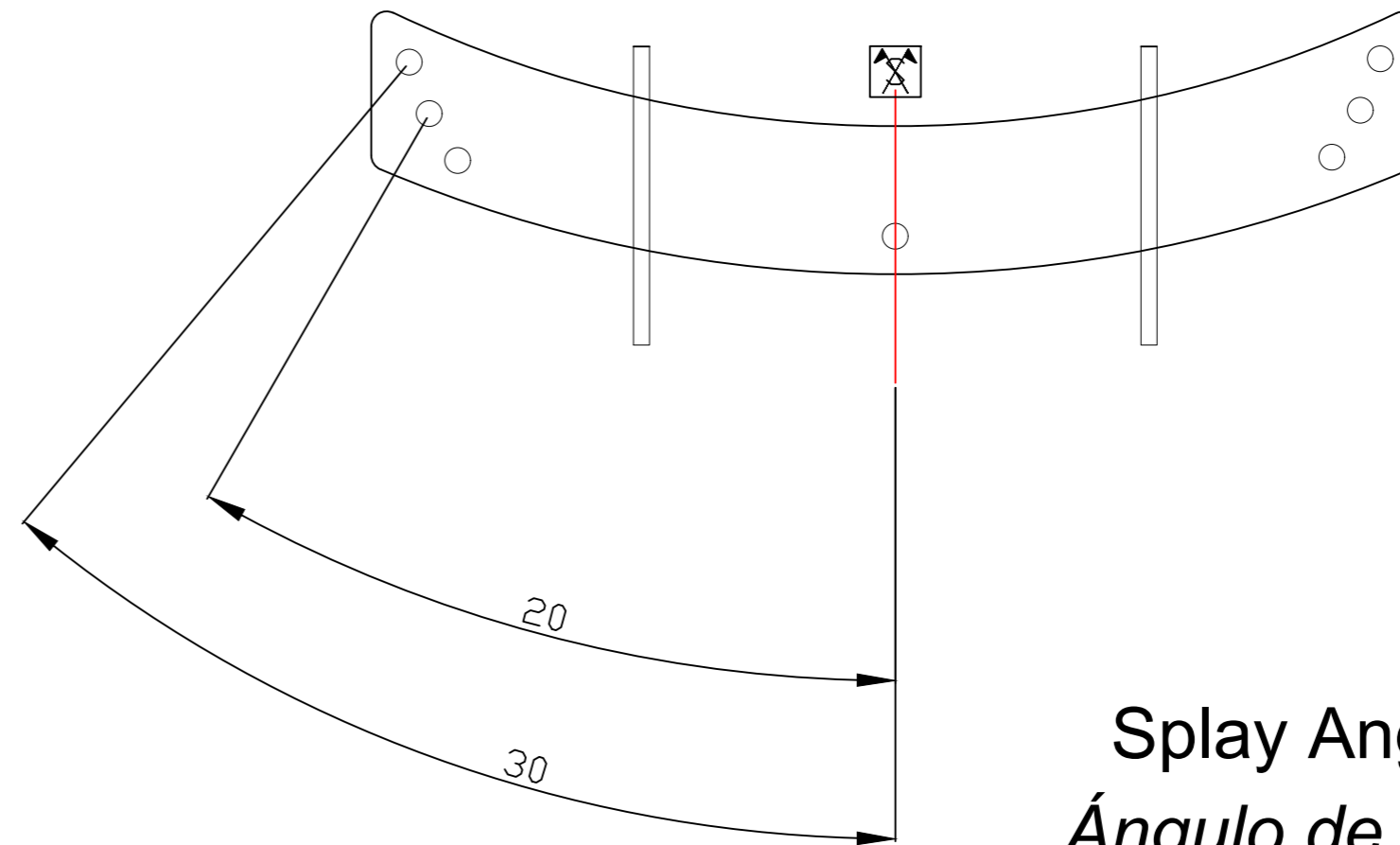
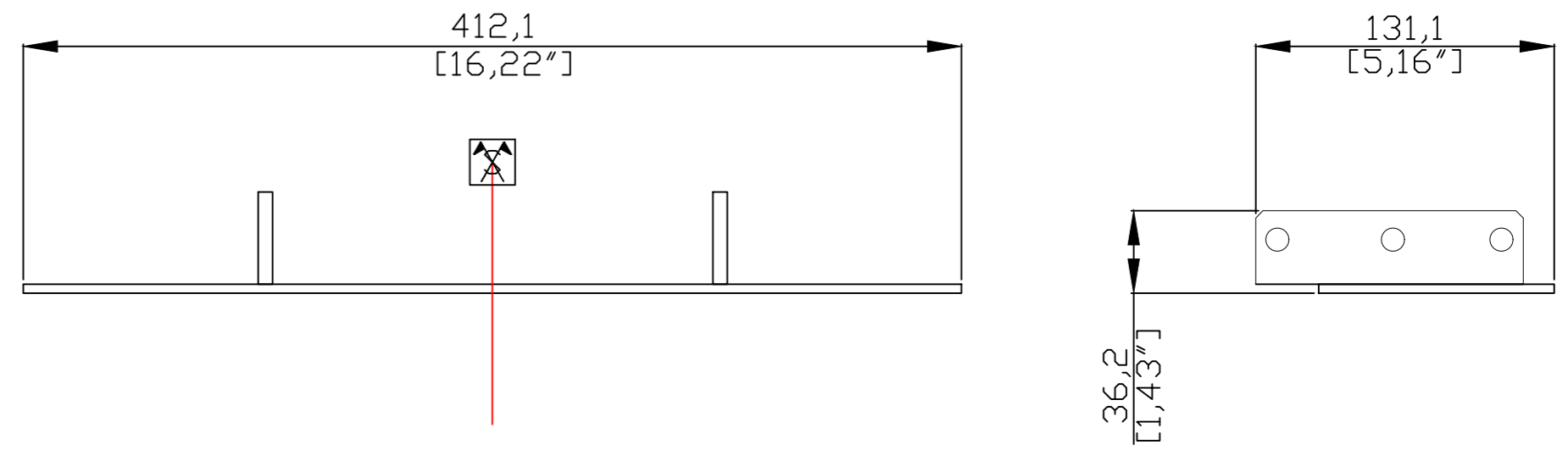
FIRST ANGLE PROJECTION

TAF2-I6P

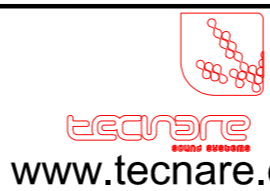


Splay Angle between boxes
Ángulo de apertura entre cajas

TAF3-I6P



Splay Angle between boxes
Ángulo de apertura entre cajas

Required Finish: Matt Black Negro Mate	Scale: 1:1	ALL DIMENSIONS IN MILLIMETRES			DO NOT SCALE
	Drawn by: PC	Checked By: PC	Drawing Number 024:20:W	Date drawn: 11/02/16	Material Spec. Steel - Acero
 EXEL ACOUSTIC SL C/Encinar 282 Casarrubios del Monte 45950 - TOLEDO			Part Name IBZA6P-IBZA6-HZ Array Frame Dimensions		
www.tecnare.com			Part Number TAF-I6P	Sheet 1 of 1	

© EXEL ACOUSTIC SL (DATE AS SHOWN). THIS DRAWING CONTAINS PROPRIETARY INFORMATION OF EXEL ACOUSTICS SL AND IS TENDERED SUBJECT TO THE FOLLOWING CONDITIONS: THE INFORMATION BE RETAINED IN CONFIDENCE, NOT BE REPRODUCED OR COPIED, AND NOT BE USED OR INCORPORATED IN ANY PRODUCT, UNLESS PERMISSION IS OBTAINED IN WRITING FROM EXEL ACOUSTICS SL

A2