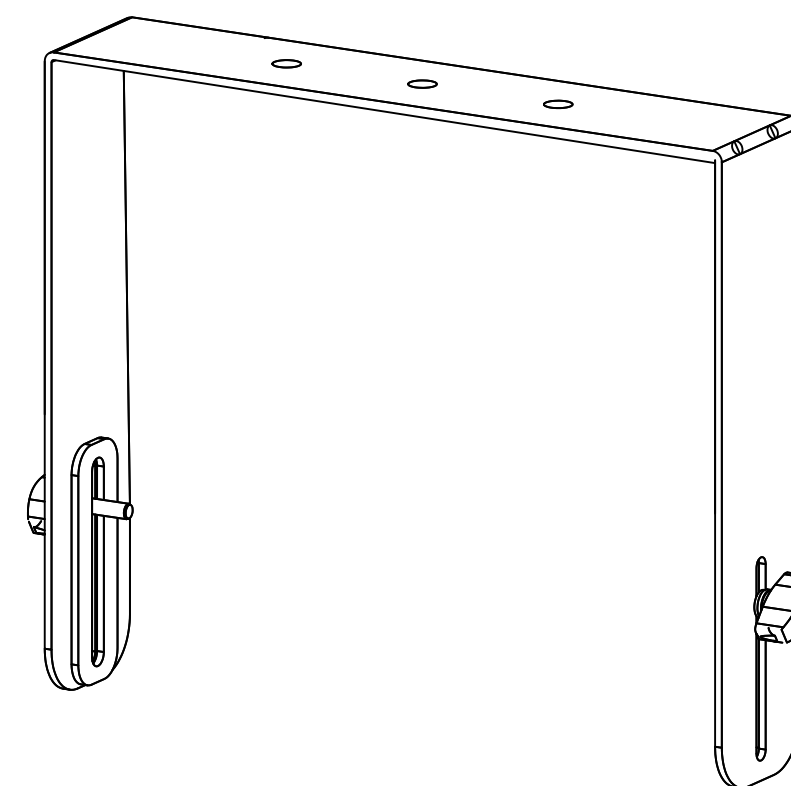
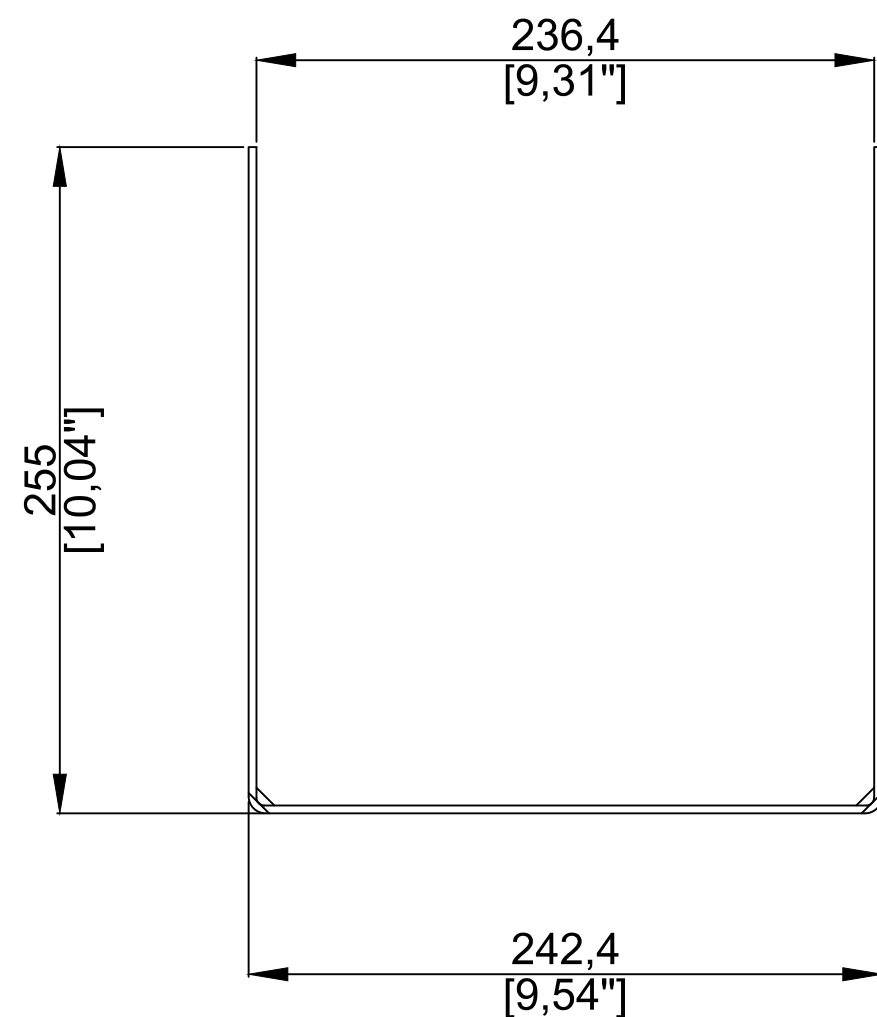
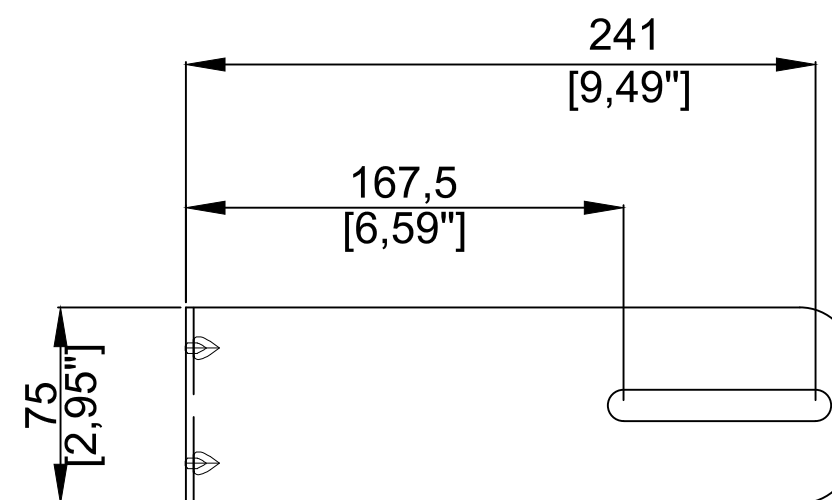
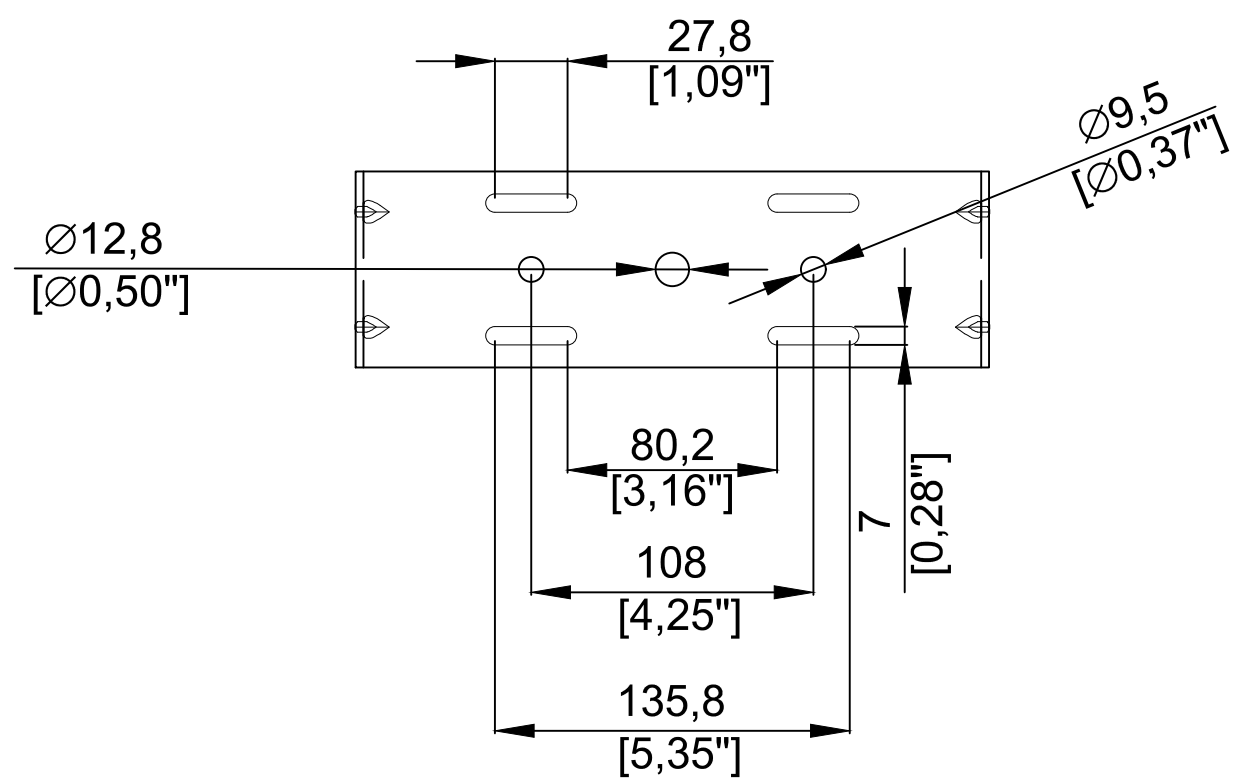
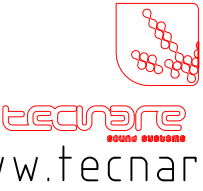


FIRST ANGLE PROJECTION



Tolerances unless otherwise stated: General tolerances $\pm 0.20$ Resultant tolerances between hole centers $\pm 0.15$ Tolerances on hole diameters $\pm 0.05$ Angles $\pm 0.5^\circ$ Surface finish $32/\sqrt{\quad}$	Required Finish: Matt Black Negro Mate	Scale: 1:1	ALL DIMENSIONS IN MILLIMETRES			DO NOT SCALE
	Drawn by: Pedro Cortés	Checked By: PC	Drawing Number 001	Date drawn: 11/02/16	Material Spec. Steel - Acero	
	 EXEL ACOUSTIC SL C/Encinar 282 Casarrubios del Monte 45950 - TOLEDO www.tecnare.com			Part Name IBZA6+ U-Bracket / Lyra IBZA6+		
	© EXEL ACOUSTIC SL (DATE AS SHOWN) . THIS DRAWING CONTAINS PROPRIETARY INFORMATION OF EXEL ACOUSTIC SL AND IS TENDERED SUBJECT TO THE FOLLOWING CONDITIONS: THE INFORMATION BE RETAINED IN CONFIDENCE, NOT BE REPRODUCED OR COPIED, AND NOT BE USED OR INCORPORATED IN ANY PRODUCT, UNLESS PERMISSION IS OBTAINED IN WRITING FROM EXEL ACOUSTIC SL.			Part Number TUB-6+		Sheet 1 of 1