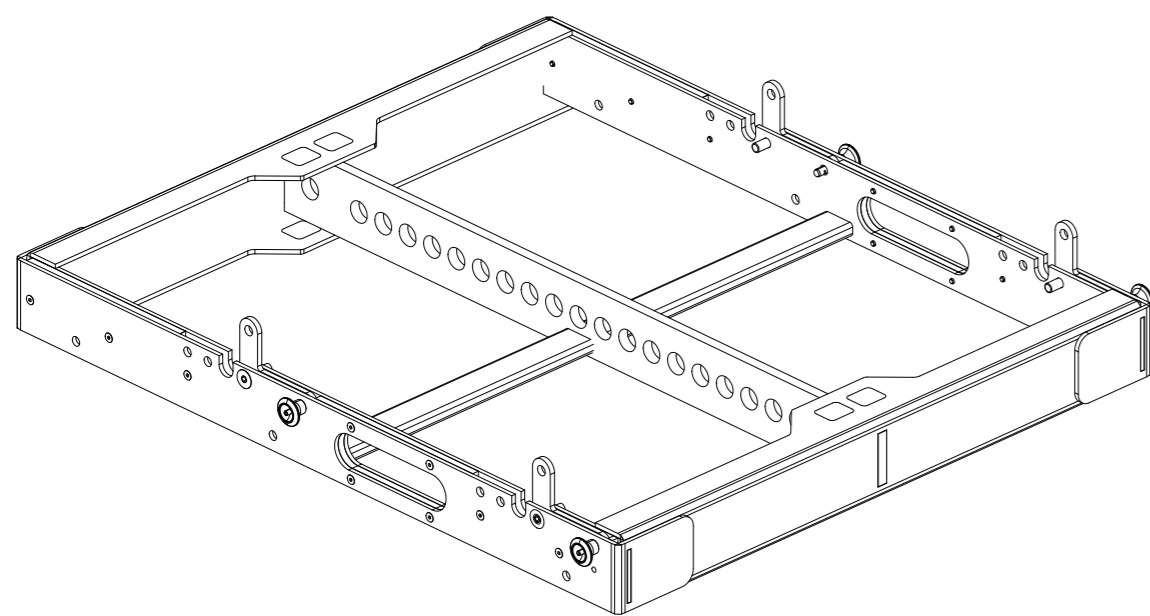
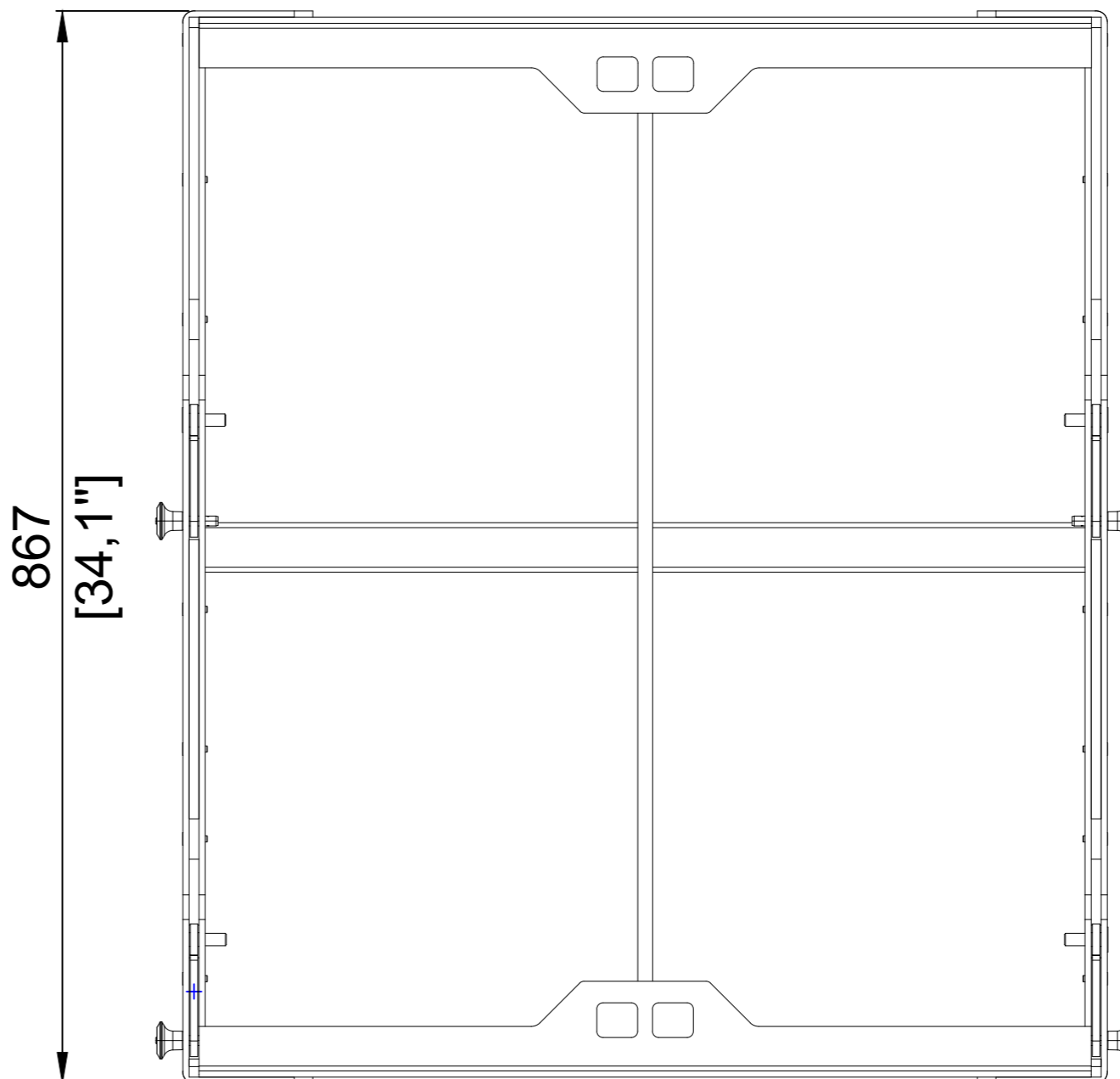
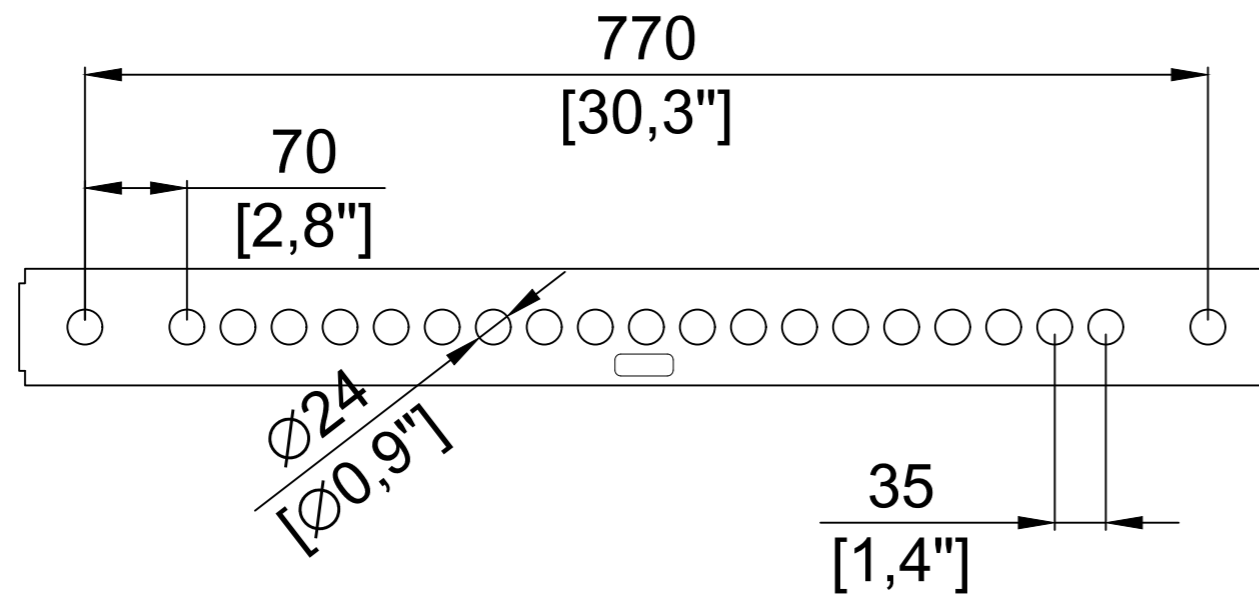
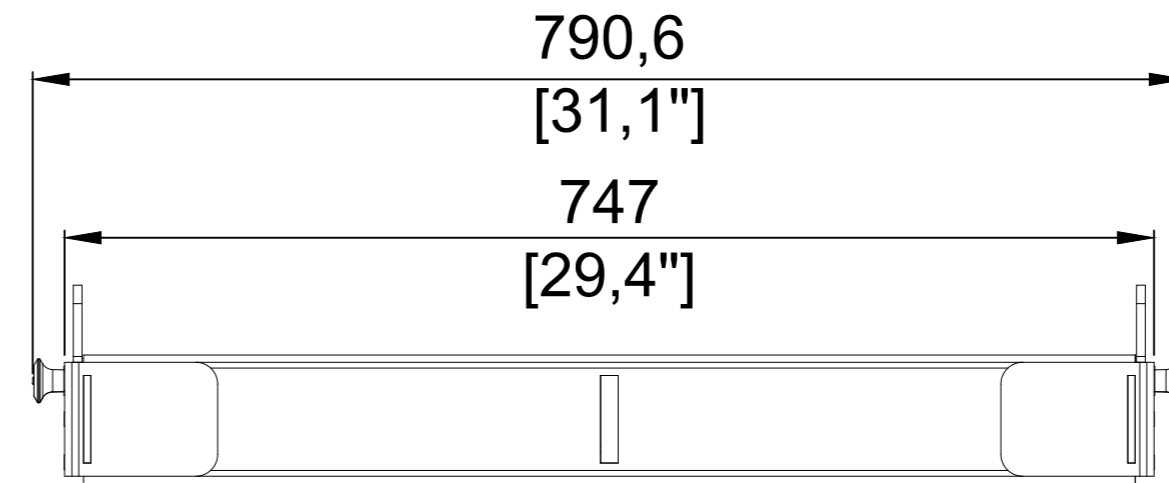
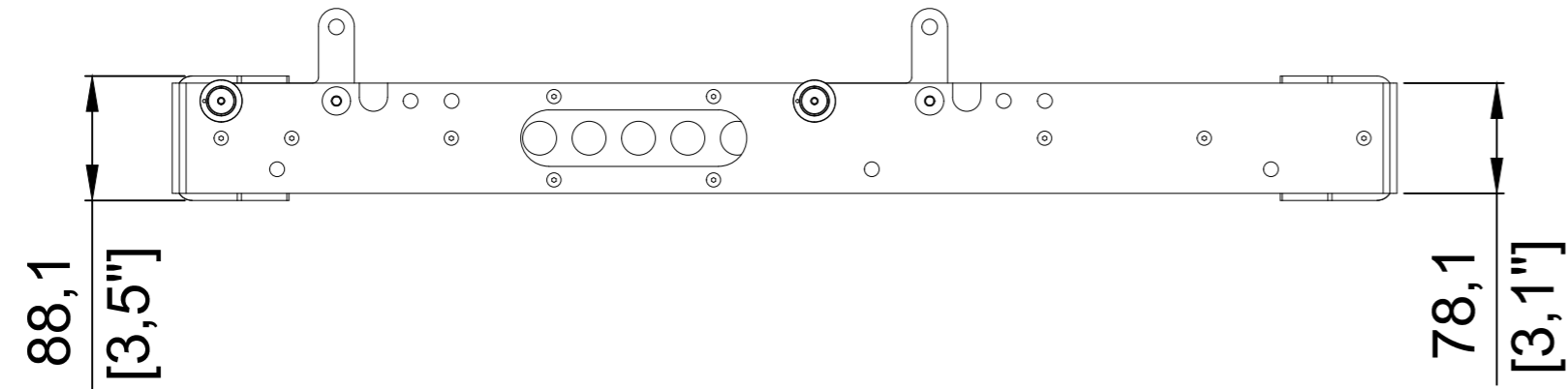



FIRST ANGLE PROJECTION



Tolerances unless otherwise stated:	Required Finish:	Scale:	ALL DIMENSIONS IN MILLIMETRES			DO NOT SCALE
	Matt Black Negro Mate	1:1	Drawn by:	Checked By:	Drawing Number	Material Spec.
General tolerances $\pm 0.20$	 www.tecnare.com	EXEL ACOUSTIC SL C/Encinar 282 Casarrubios del Monte 45950 - TOLEDO	Pedro Cortés PC		035:18	Steel - Acero
Resultant tolerances between hole centers $\pm 0.15$			Part Name		THV21-18VR Multipurpose Grid	
Tolerances on hole diameters $\pm 0.05$			Part Number		THV21-18VR	
Angles $\pm 0.5^\circ$					Sheet 1 of 1	
Surface finish $\checkmark$	© EXEL ACOUSTIC SL (DATE AS SHOWN) . THIS DRAWING CONTAINS PROPRIETARY INFORMATION OF EXEL ACOUSTIC SL AND IS TENDERED SUBJECT TO THE FOLLOWING CONDITIONS: THE INFORMATION BE RETAINED IN CONFIDENCE, NOT BE REPRODUCED OR COPIED, AND NOT BE USED OR INCORPORATED IN ANY PRODUCT, UNLESS PERMISSION IS OBTAINED IN WRITING FROM EXEL ACOUSTIC SL.					A2