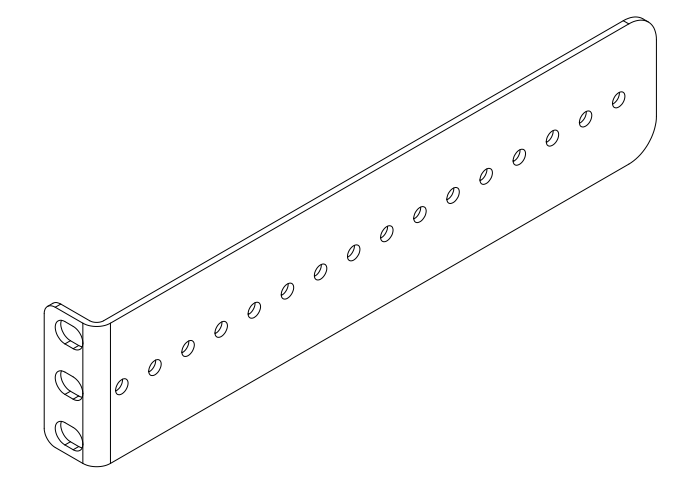
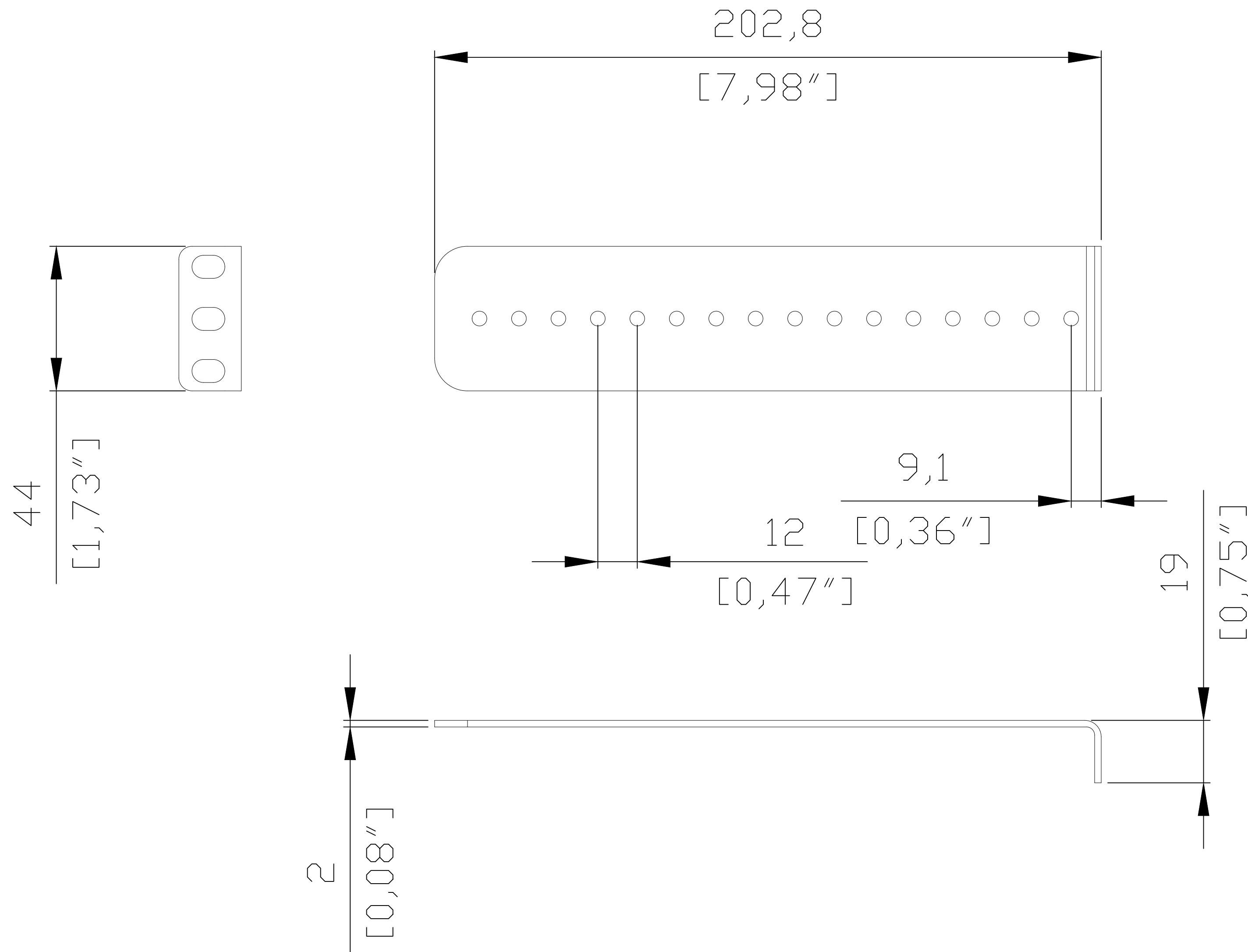
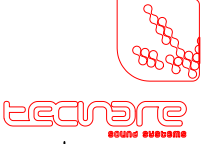


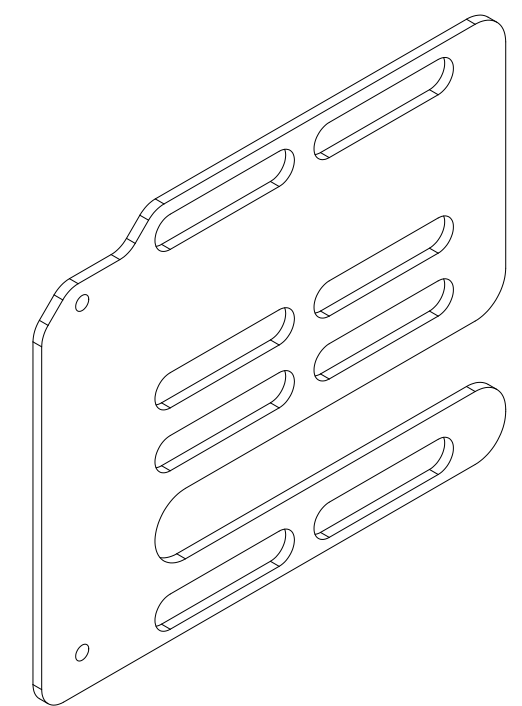
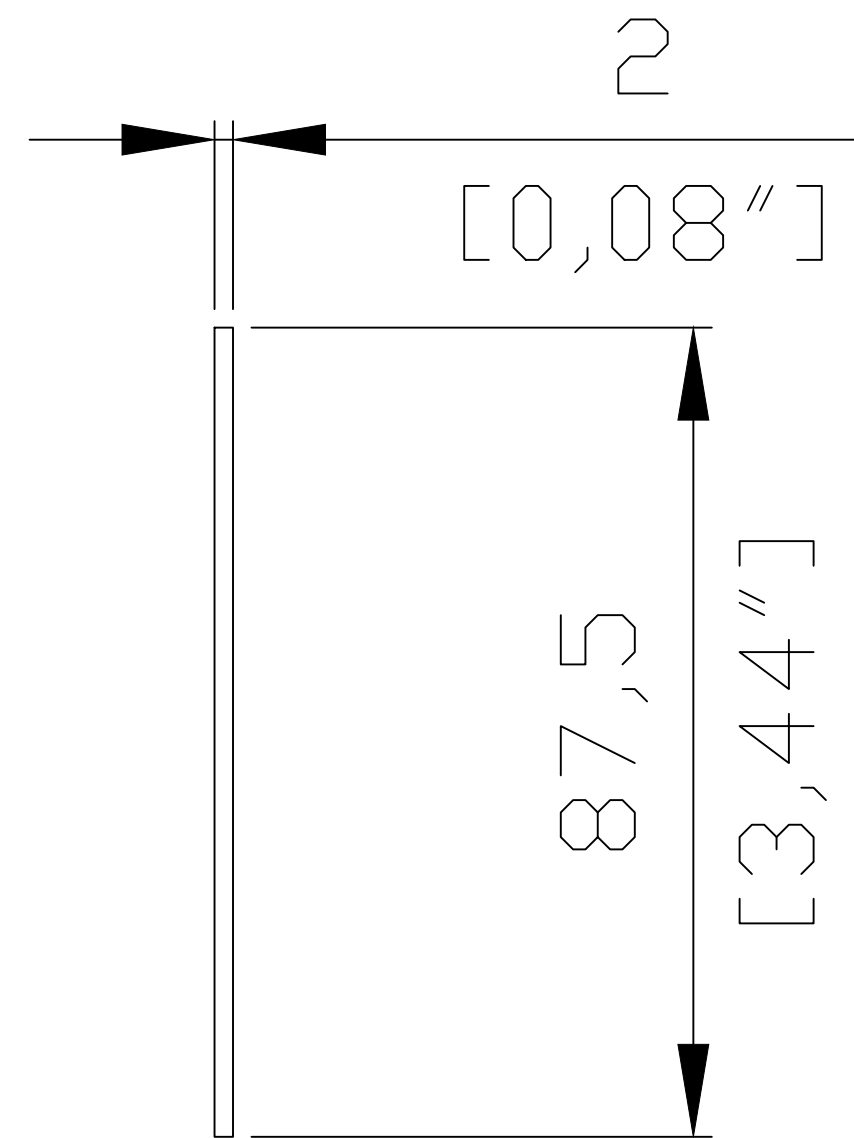
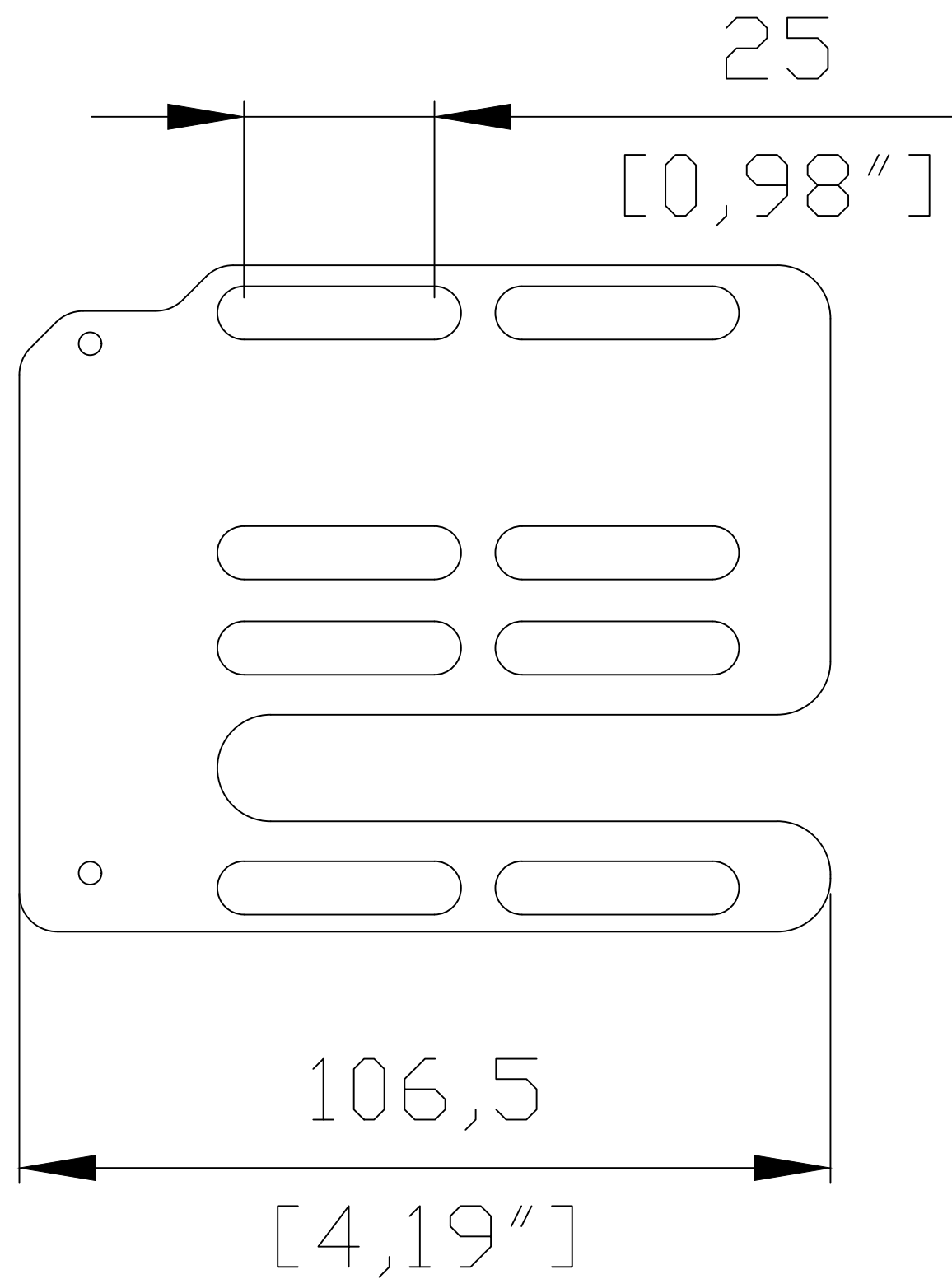
FIRST ANGLE PROJECTION




Tolerances unless otherwise stated:	Required Finish:	Scale:	ALL DIMENSIONS IN MILLIMETRES			DO NOT SCALE
	Cromado/ Galvanizado	1:1	Drawn by:	Checked By:	Drawing Number	Material Spec.
General tolerances ± 0.20			PC	PC	007-20	Acero 2mm
Resultant tolerances between hole centers ± 0.15	 www.tecnare.com	EXEL ACOUSTIC SL		Part Name		
Tolerances on hole diameters ± 0.05		C/Encinar 282		TSK-TS RearKit		
Angles $\pm 0.5^\circ$		Casarrubios del Monte		Part Number		
Surface finish $\frac{3}{2}$		45950 - TOLEDO		Rear adapter TS Series_2@ Parte		
© EXEL ACOUSTIC SL (DATE AS SHOWN). THIS DRAWING CONTAINS PROPRIETARY INFORMATION OF EXEL ACOUSTIC SL AND IS TENDERED SUBJECT TO THE FOLLOWING CONDITIONS: THE INFORMATION BE RETAINED IN CONFIDENCE, NOT BE REPRODUCED OR COPIED, AND NOT BE USED OR INCORPORATED IN ANY PRODUCT, UNLESS PERMISSION IS OBTAINED IN WRITING FROM EXEL ACOUSTIC SL.						Sheet 1 of 1

A2

FIRST ANGLE PROJECTION



Tolerances unless otherwise stated: General tolerances ± 0.20 Resultant tolerances between hole centers ± 0.15 Tolerances on hole diameters ± 0.05 Angles $\pm 0.5^\circ$ Surface finish $\sqrt{3}$	Required Finish: Cromado/ Galvanizado	Scale: 1:1	ALL DIMENSIONS IN MILLIMETRES			DO NOT SCALE
		Drawn by: PC	Checked By: PC	Drawing Number 007-20	Date drawn: 16/03/2020	Material Spec. Acero 2mm
	 www.tecnare.com	EXEL ACOUSTIC SL C/Encinar 282 Casarrubios del Monte 45950 - TOLEDO		Part Name TSK-TS RearKit		
				Part Number Rear adapter TS Series_2@ Parte		Sheet 1 of 1
<small>© EXEL ACOUSTIC SL (DATE AS SHOWN). THIS DRAWING CONTAINS PROPRIETARY INFORMATION OF EXEL ACOUSTIC SL AND IS TENDERED SUBJECT TO THE FOLLOWING CONDITIONS: THE INFORMATION BE RETAINED IN CONFIDENCE, NOT BE REPRODUCED OR COPIED, AND NOT BE USED OR INCORPORATED IN ANY PRODUCT, UNLESS PERMISSION IS OBTAINED IN WRITING FROM EXEL ACOUSTIC SL.</small>						A2