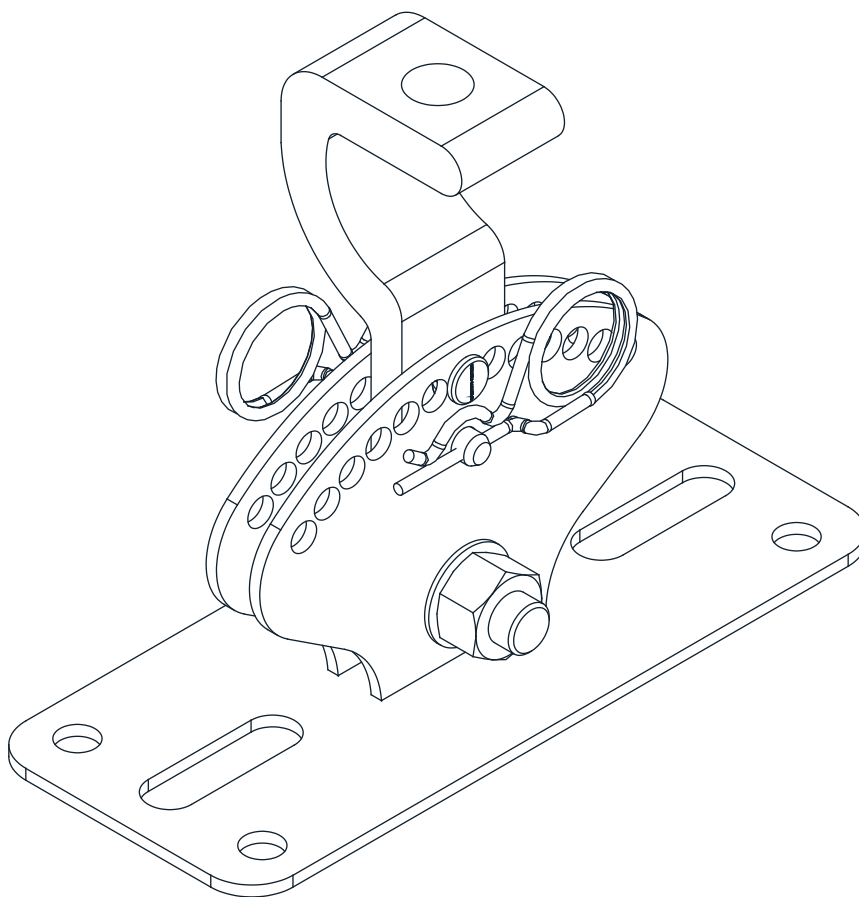




HG-2 Single-Point Bracket

Product Information

Version 1.0



Keep these important operating instructions.
Check www.tecnare.com for updates.

General Information

HG-2 *SINGLE POINT BRACKET* Product information

Ver.: 1.0 01/2018

©EXEL ACOUSTICS SL; all right reserved

The information contained in this manual has been carefully checked for accuracy, at the time of going to press, however no guarantee is given with respect to the correctness.

Exel Acoustics SL accepts no responsibility for any errors or inaccuracies that may appear in this manual or the products and software described in it. Technical specifications, dimensions, weights and properties do not represent guaranteed qualities. As manufacturers we reserve the right to make alterations and modifications within the framework of legal provisions, as well as changes aimed at improving quality.




EXEL ACOUSTICS SL
CL Encinar, 282 – Pol. Ind. Monte Boyal
45950 Casarrubios del Monte (Toledo) Spain
Phone: (+34) 918 170 110 Fax:
e-mail: support@tecnare.com www.tecnare.com

IMPORTANT SAFE INSTRUCTIONS

Before using our product, be sure to carefully read the manual and safe Instructions. Keep this document with the device all time.

- 1 Read these instructions.
- 2 Keep these instructions.
- 3 Heed all warnings.
- 4 Follow all SAFETY INSTRUCTIONS as well DANGER and OBLIGATION warnings.
- 5 Only use attachments / accessories specified by the manufacturer.
- 6 **SAFETY STATEMENT FOR RIGGING.** This Statement assumes that the owners and/or users are familiar with the rigging techniques and safety recommendations outlined in this manual. Many issues of crucial concern, such as the determination of appropriateness and condition of venue rigging points, cannot be addressed here. Therefore, the user must assume all responsibility for the appropriate use of Rigging systems in any particular location or circumstance.
- 7 **PERSONNEL HEALTH AND SAFETY.** During installation and set-up personnel should wear protective headgear and footwear at all times. Under no circumstances personnel should climb on the loudspeaker assembly.
- 8 **INSPECTION AND MAINTENANCE.** The rigging systems are an assembly of mechanical devices, and are therefore subject to wear and tear over prolonged use, as well as damage from corrosive agents, extreme impact, or inappropriate use. Because of the safety issues involved, all system components must be inspected before use in order to detect any possible defects.
- 9 **LOAD RATING AND SPECIFICATIONS.** Load capacity and setup safety limits when flying or stacking a loudspeaker assembly should be strictly followed according to the instructions outlined in this manual.
- 10 **LOCAL REGULATIONS.** The suspension of large, heavy objects in public places is subject to numerous laws and regulations at the national/federal, state/provincial, and local levels. It is the user's responsibility to verify that any overhead suspension of TECNARE systems has been made in accordance with all applicable local regulations in any particular circumstance or venue conforms to all applicable laws and regulations in force at the time.
- 11 **FLYING A LOUSPEAKER SYSTEM**
Always verify that nobody is standing underneath the loudspeaker assembly when it is being raised. As the system is being raised check each individual component to make sure that it is securely fastened to the component above. Never leave the system unattended during the installation process. As a general rule, EXEL ACOUSTICS recommends the use of safety slings at all times.
- 12 **STACKING A LOUSPEAKER SYSTEM.**
Do not ground stack the system on unstable ground or platform. If the system is ground stacked on a structure, platform, or stage always check that the latter can support the total weight of the system. As a general rule, EXEL ACOUSTICS recommends the use of safety straps at all times
- 13 When a loudspeaker assembly is deployed in an open air environment, wind effects should be taken into account. Wind can produce dynamic stress to the rigging components and suspension points. If the wind force exceeds 6 B (Beaufort scale) it is highly recommended to lower down and/or secure the loudspeaker assembly.
- 14 **REPLACEMENT PARTS.** Any component found to be defective, or any safety-related component you even suspect might be defective, should be replaced with the equivalent, approved part. Parts specific to a rigging system should be ordered directly from Exel Acoustics. No attempt should be made to substitute what appears to be equivalent or "mostly the same" generic replacements. Therefore, EXEL ACOUSTICS is not responsible for problems caused by components that were not supplied by EXEL ACOUSTICS.

SYMBOLS USED

		
Important operating instructions	Additional information	OBLIGATION. This instructions must be strictly followed
Pour indequer important Instructions	Information complémentaire	Obligation. Cela doit être strictement instructions Suivi
Wichtige Betriebsanweisung oder Gebrauchsanleitung sanleitung	Informationen. Zusätzliche Informationen	Pflicht. Diese Anweisungen müssen strikt befolgt
Importantes instrucciones operativas	Información complementaria	Obligación. Estas instrucciones deben ser estrictamente seguidas

DECLARACIÓN DE CONFORMIDAD **DECLARATION OF CONFORMITY**

EXEL ACOUSTICS SL

CL Encinar, 282. Polígono Industrial Monte Boyal. 45950 – Casarrubios del Monte (Toledo), España (Spain).

Declara que los siguientes productos:

- *Soporte HG-2*

cumple con las directivas:

Declare under our sole responsibility that devices

- *HG-2 Bracket*

comply with relating Directives:

- (1) Directiva 2006/42/CE relativa a las máquinas.
- (2) Norma UNE-EN ISO 12100:2012 Relativa a la seguridad de las máquinas.
- (3) RD 1644/2008

- (1) *Machinery Directive 2006/42/EC*
- (2) *Mechanical Safety UNE-EN ISO 12100:2012 (Applied in Spain)*
- (3) *RD 1644/2008 (applied in Spain)*



1 Introduction

1.1 Welcome to Tecnare®

Thank you for choosing the high-quality Tecnare® **Sound System “Made in Spain”** from **EXEL ACOUSTICS SL**. The shipping carton should contain:

- HG-2 Bracket
- 04 x M10/M8 Hexagonal head screw

Each Tecnare product is tested and inspected before leaving the factory and should arrive in perfect condition.

After the careful opening of the shipping carton, check for any noticeable damage. If so, notify the shipping company or the distributor immediately. Only the consignee may initiate a claim with the carrier for damage incurred during shipping.

Be sure to save the carton and packing materials to be inspected by the carrier.

Carefully read this document in order to become familiar with the product and to identify the external documents containing essential information on installing and operating the product properly and safely. Product documents are freely available on the Tecnare web site: www.tecnare.com

As part of a continuous evolution of techniques and standards, Exel Acoustics SL as manufacturer of Tecnare® products reserve the right to change the specifications of its products and the content of its documents without prior notice.

Updates and supplementary information are available on the Tecnare® website:


<http://www.tecnare.com>

Tecnare Technical Support is available at:

- (T): +34 918 170 110 - +34 918 171 001
- (e-mail): support@tecnare.com

Thank you again for placing your confidence in Tecnare® products.

1.2 Service, Inspection & Maintenance.

 **CAUTION:** Always follow the basic precautions to avoid the possibility of serious injury or even death from electrical shock, short-circuiting, damages, fire or other hazards. These precautions include, but are not limited to, the following:

- Before doing any installation or construction work, consult with an installation expert.
- Make sure that the surface this bracket is being mounted on has the strength to handle the weight of both the speaker and this bracket.
- Use bolts and nuts as well as washers for installation and tighten them firmly so that the speaker is secure and does not move.
- Always loosen the corresponding screw before adjusting the angle or direction of the speaker. Never force this adjustment with the screw still tightened.
- Some fittings may deteriorate over extended periods of time due to wear and/or corrosion. For optimum safety, the installation should be checked thoroughly at regular intervals.



Exel Acoustics cannot be held responsible for damage or injury caused by insufficient strength of the support structure or improper installation.

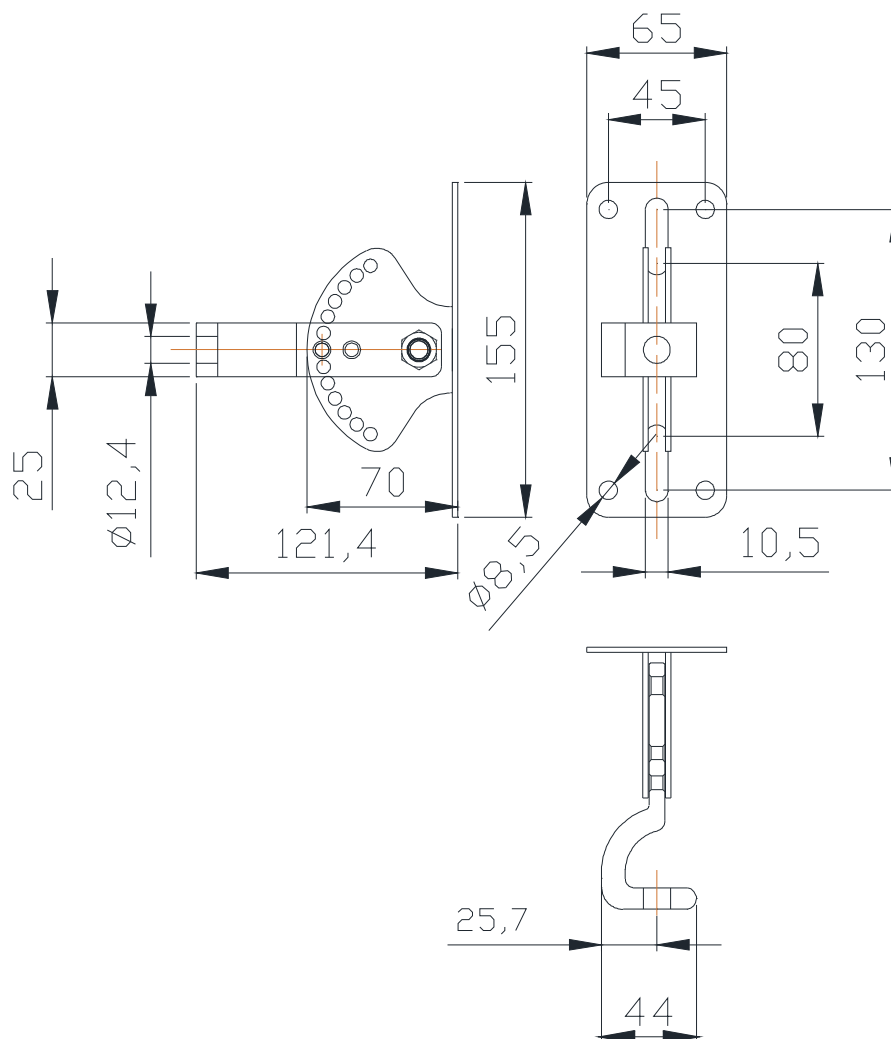
Any maintenance not recommended by Exel Acoustics will void the warranty.

- Illustrations herein are for explanatory purposes only, and may not match actual appearance during operation.
- Company names and product names herein are trademarks or registered trademarks of their respective companies.
- Since specifications, equipment or options may not be the same in every locale, please check with your Tecna dealer.

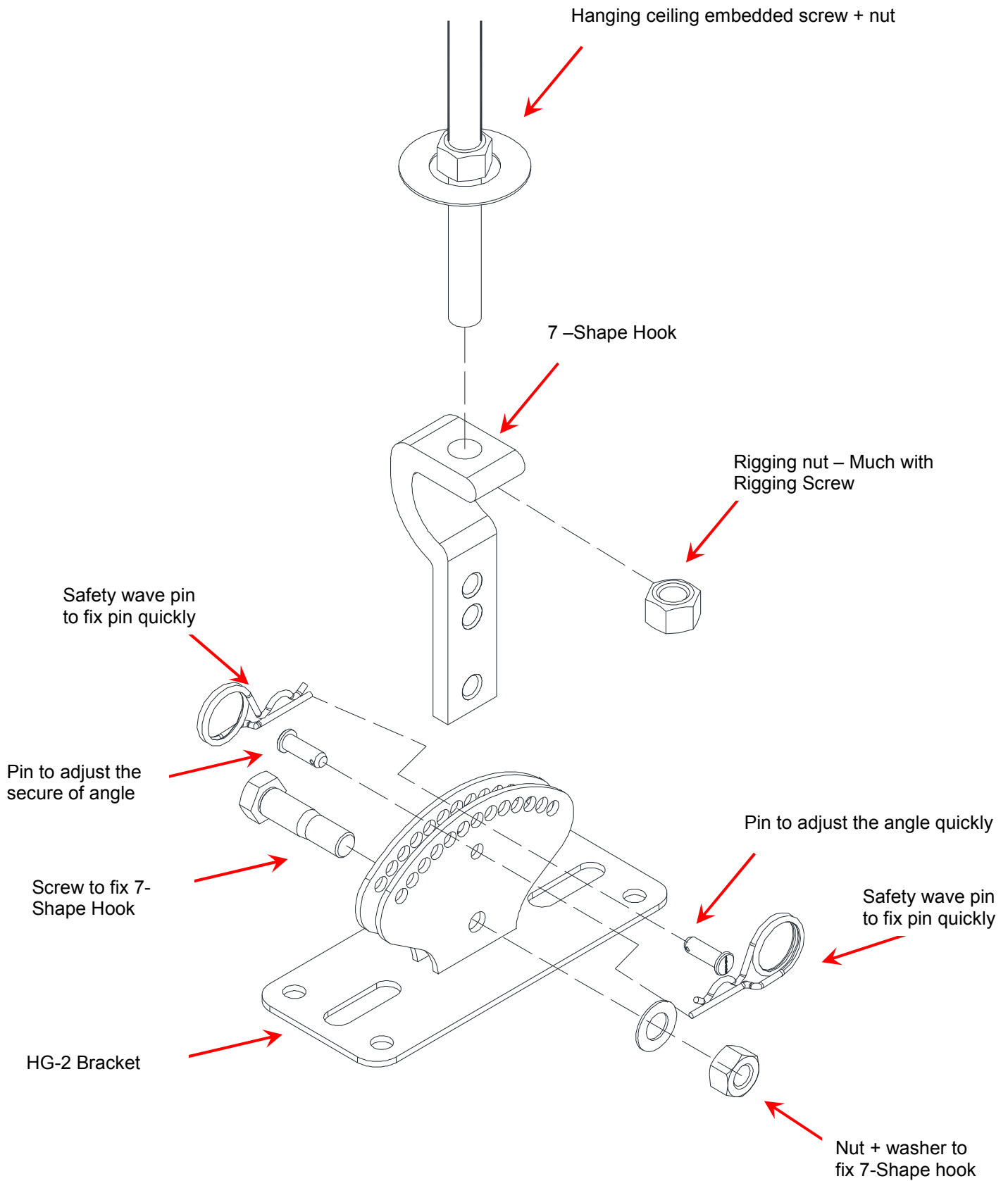
2 HG-2 SINGLE-POINT BRACKET SPECIFICATIONS

- Rigging bracket for Tecna E and Ibiza Series
- Be used for horizontal/Vertical hanging
- Bearing weight: 50kg. (110.3 lbs) /MAX: 200kg. (440.93 lbs)
- Material: Bracket – High grade steel with anti-corrosion coating;
7-shape hook- Aluminium alloy
- Adjustable angle: 120° (+60 ~0 ~-60)
- Hole Spacing of speaker: 80mm ~ 130 mm / 3,149-in ~ 5,118-in
- Maximum fixing screw of speaker: M10
- Maximum rigging screw: M12
- Weight (net): 0.45 kg /0.1 lb

2.1 HG-2 BRACKET DIMENSIONS



3 COMPONENT ASSEMBLY



1 Introducción

1.1 Bienvenido a Tecnare®

Gracias por elegir un producto Tecnare® “Fabricado en España” por EXEL ACOUSTICS SL. El paquete de envío debe contener:

- Soporte HG-2
- 04 x M10/M8 Tornillo de cabeza hexagonal

Cada producto Tecnare se prueba e inspecciona antes de salir de fábrica y debe de llegarle en perfectas condiciones.

Después de abrir cuidadosamente el paquete verifique si se han producido daños durante el transporte. De ser así notifíquese a la compañía de transportes o a su distribuidor de inmediato. Solo el destinatario puede iniciar una reclamación con el transportista por daños producidos durante el envío.

Asegúrese de guardar los embalajes originales para que el transportista los inspeccione.

Lea atentamente este documento para familiarizarse con el producto e identificar los documentos extra que contienen información esencial sobre como instalar y utilizar el producto de manera segura y adecuada. Los documentos del producto están disponibles gratuitamente en nuestra página web Tecnare: www.tecnare.com

Como parte de una evolución continua en las técnicas y estándares de fabricación, Exel Acoustics SL como fabricante de los productos Tecnare® se reserva el derecho de cambiar las especificaciones de sus productos y el contenido de sus documentos sin previo aviso.


Visite regularmente nuestra página web Tecnare® <http://www.tecnare.com> para obtener actualizaciones e información complementaria de nuestros productos.

Soporte técnico Tecnare está disponible en:

- (T): +34 918 170 110 - +34 918 171 001
- (e-mail): support@tecnare.com

Gracias de nuevo por confiar en productos Tecnare®.

1.2 Inspección y Mantenimiento.

 **PRECAUCIÓN:** Siga siempre las precauciones básicas de seguridad para evitar la posibilidad de lesiones graves o incluso la muerte por descargas eléctricas, cortocircuitos, daños, incendios u otros peligros. Estas precauciones incluyen entre otras, las siguientes:

- Antes de realizar cualquier trabajo de instalación o construcción, consulte con un experto en instalación.
- Asegúrese de que la superficie sobre la que se monta este soporte tenga la fuerza para soportar el peso tanto del altavoz como de este soporte.
- Use tornillos, tuercas y arandelas para la instalación y apriételes firmemente para que el altavoz esté seguro y no se mueva.
- Afloje siempre el tornillo correspondiente antes de ajustar el ángulo o la dirección del altavoz. Nunca fuerce este ajuste con el tornillo aún apretado.
- Algunos accesorios pueden deteriorarse con el paso del tiempo debido al desgaste y / o la corrosión. Para una seguridad óptima, la instalación debe revisarse minuciosamente a intervalos regulares.



Exel Acoustics no se hace responsable de los daños o lesiones causados por una resistente insuficiente de la estructura de soporte o una incorrecta instalación.

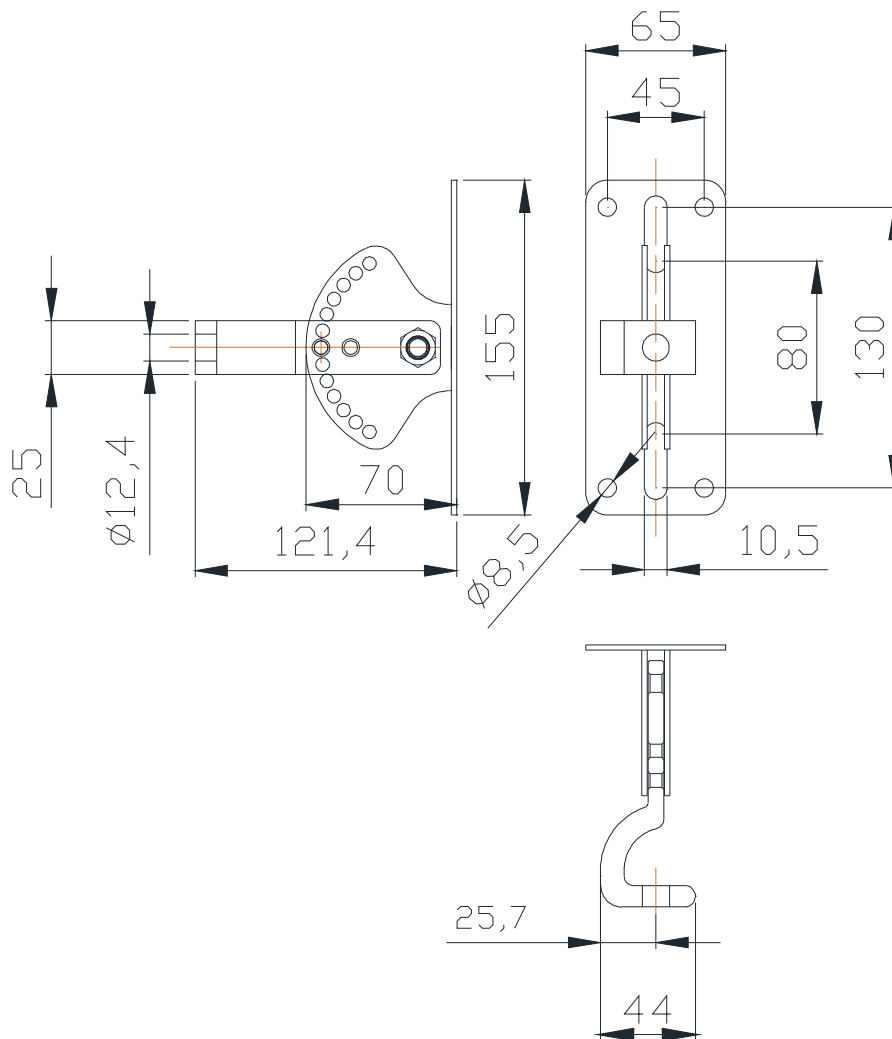
Cualquier mantenimiento no recomendado por Exel Acoustics anulará la garantía.

- Las ilustraciones en este documento son solo para fines explicativos y pueden no coincidir enteramente con la apariencia real durante el montaje.
- Los nombres de compañías y productos aquí nombrados son marcas comerciales registradas por sus respectivas compañías.
- Debido a que las especificaciones, los equipos u opciones pueden ser distintos dependiendo de la localidad, consulte con su distribuidor Tecnore.

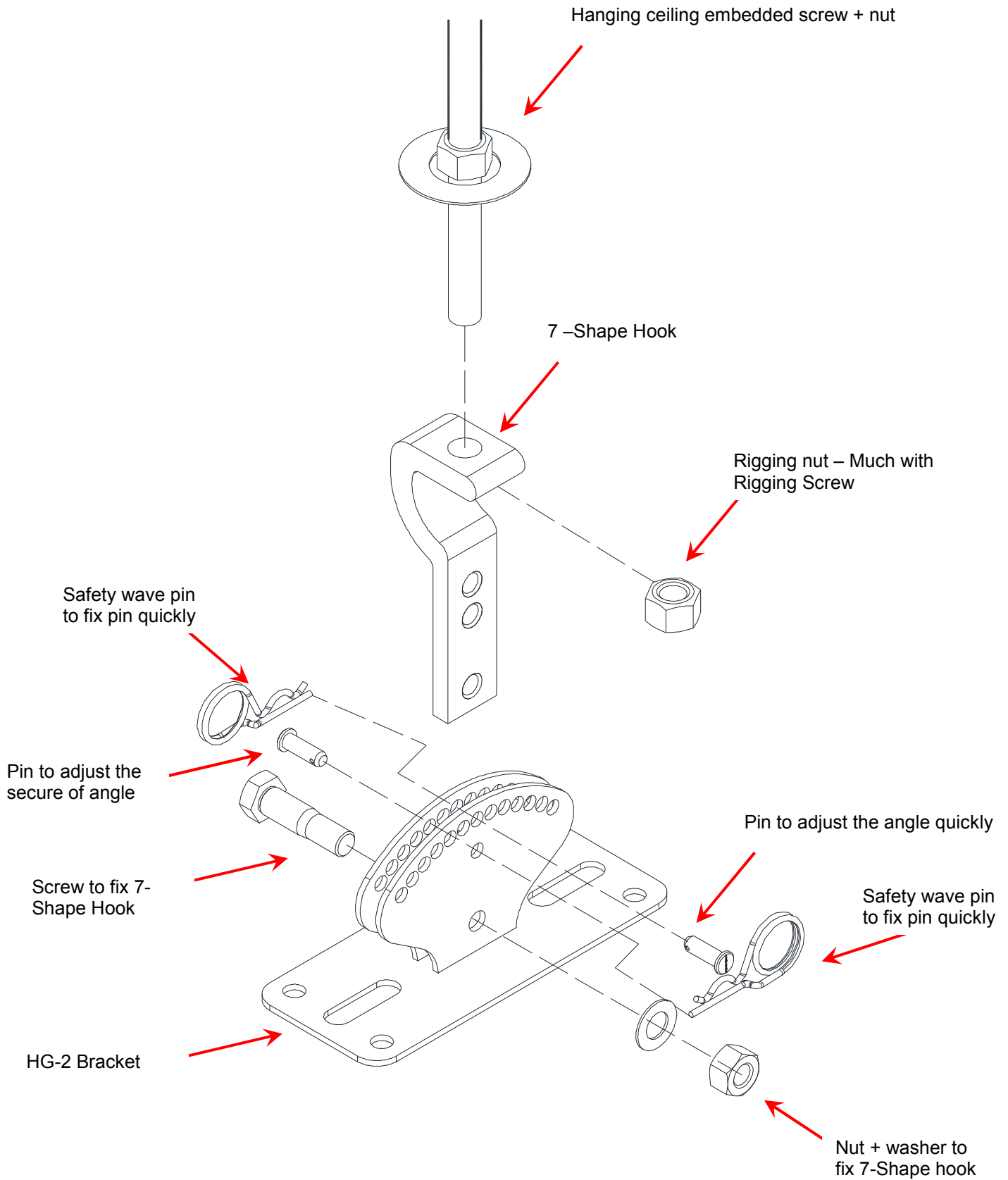
2 ESPECIFICACIONES DEL SOPORTE DE MONTAJE DE UN SOLO PUNTO HG-2

- Soporte de montaje para Tecnaire E y Ibiza Series
- Se utiliza para colgar tanto en Horizontal como en Vertical
- Soporte de peso: 50kg. (110.3 lb) /MAX: 200kg. (440.93 lb)
- Material: Soporte – Acero de alto grado con recubrimiento anti-corrosión;
Garra – Aleación de aluminio
- Angulo ajustable: 120° (+60 ~0 ~-60)
- Espacio entre orificios de ajuste al altavoz: 80mm ~ 130 mm / 3.149-in ~ 5.118-in
- Tornillo máximo para fijación del altavoz: M10
- Tornillo de fijación a la garra: M12
- Peso (neto): 0.45 kg /0.1 lb

3.1 DIMENSIONES DEL SOPORTE HG-2



3 MONTAJE DE COMPONENTES



Reinventing The Rules



©2018

Tecnare Sound Systems. All rights reserved.

HG-2 SINGLE POINT BRACKET Product Information

The contents of this manual are furnished for informational purposes only, are subject to change without notice, and should not be construed as a commitment by Exel Acoustics SL. Exel Acoustics assumes no responsibility or liability for any errors or inaccuracies that may appear in this manual. Except as permitted by applicable copyright law, no part of this publication may be reproduced, stored in a retrieval system, or transmitted, in any form or by any means, electronic, mechanical, recording or otherwise, without prior written permission from Exel Acoustics. Tecnare and PCC-Net are trademarks of Exel Acoustics SL. Podware, System Engineer, BvNet, Smaart and all third-party trademarks mentioned herein are the property of their respective trademark holders.

Printed in Spain.

EXEL ACOUSTICS SL

CL Encinar, 282 - Pol. Ind. Monte Boyal
45950 Casarrubios del Monte (To)
Spain
support@tecnare.com

www.tecnare.com - www.facebook.com/tecnare
(T): +34 918 170 110 - +34 918 171 001
(F): +34 918 183 053

