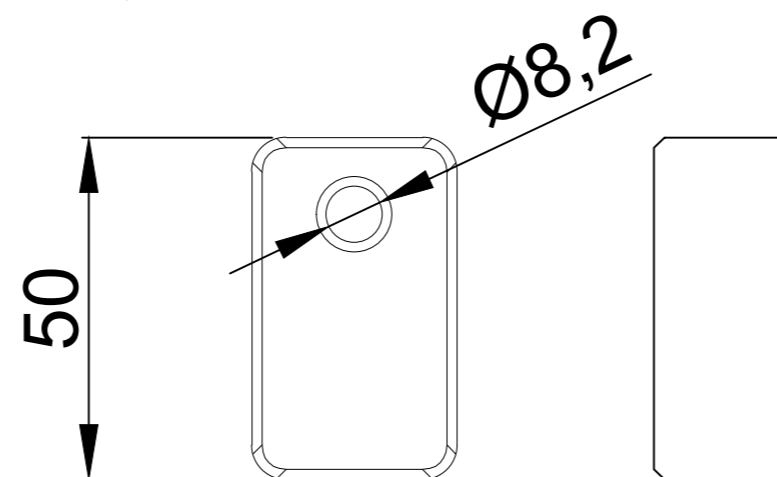
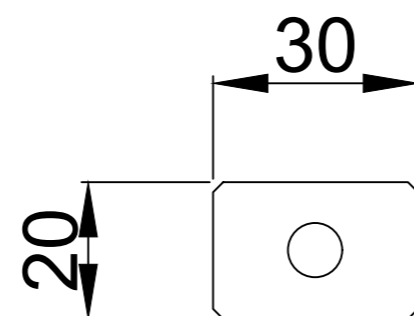
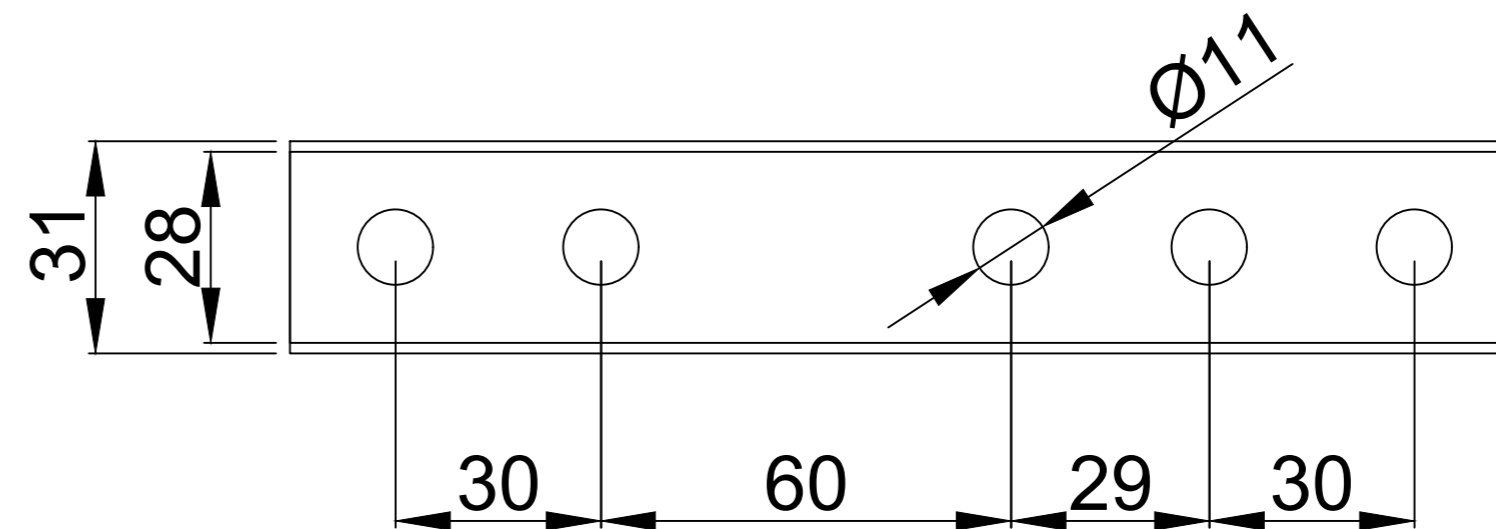
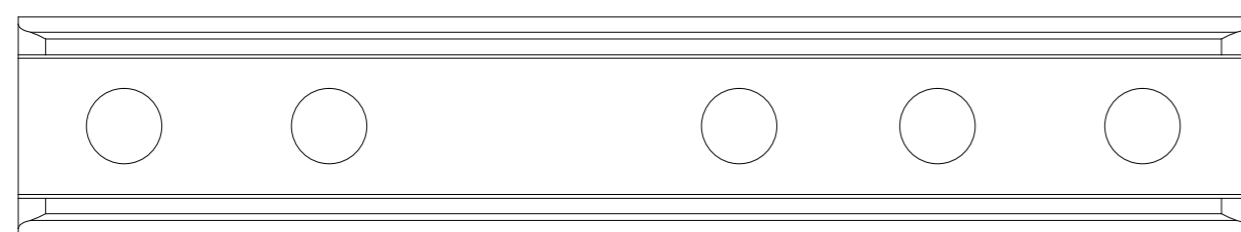
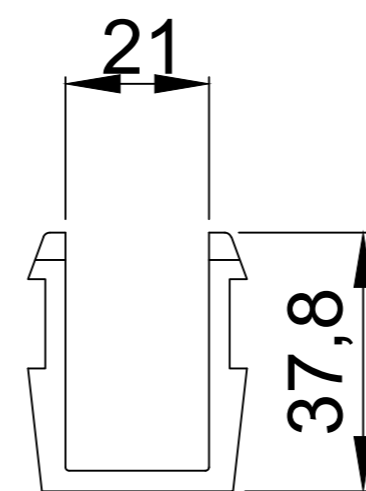
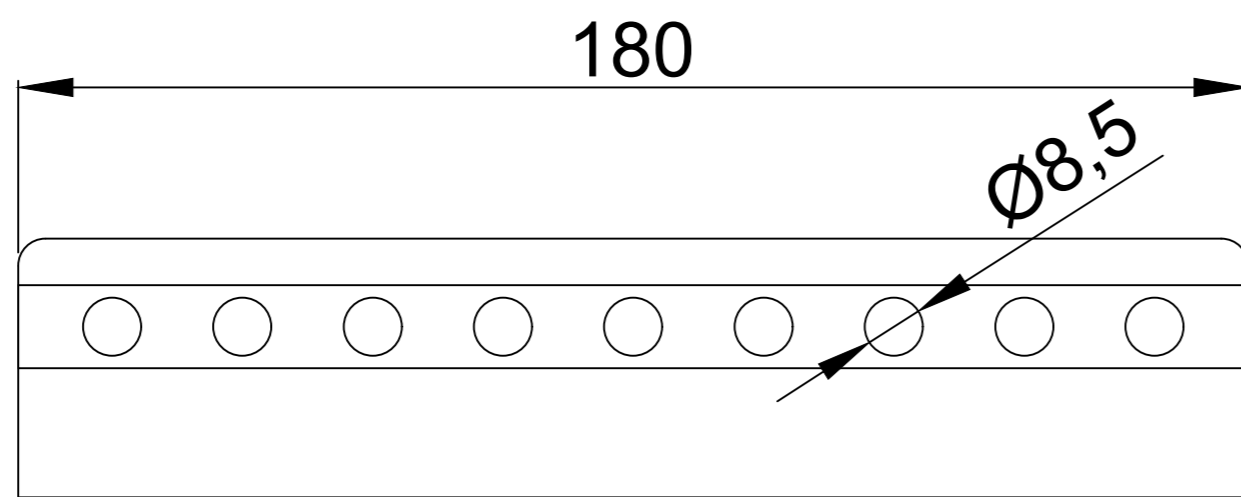
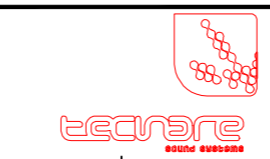


FIRST ANGLE PROJECTION



Tolerances unless otherwise stated:	Required Finish:	Scale:	ALL DIMENSIONS IN MILLIMETRES			DO NOT SCALE
	Matt Black Negro Mate	1:1				
General tolerances ±0.20 Resultant tolerances between hole centers ±0.15 Tolerances on hole diameters ±0.05 Angles ± 0.5° Surface finish 32/	Drawn by:	Checked By:	Drawing Number	Date drawn:	Material Spec.	
	RL	PC	001	29/01/18	AL - Aluminio	
 www.tecnares.com	EXEL ACOUSTIC SL C/Encinar 282 Casarrubios del Monte 45950 - TOLEDO			Part Name HG-1 Universal Bracket		
	<small>© EXEL ACOUSTIC SL (DATE AS SHOWN). THIS DRAWING CONTAINS PROPRIETARY INFORMATION OF EXEL ACOUSTIC SL AND IS TENDERED SUBJECT TO THE FOLLOWING CONDITIONS: THE INFORMATION BE RETAINED IN CONFIDENCE, NOT BE REPRODUCED OR COPIED, AND NOT BE USED OR INCORPORATED IN ANY PRODUCT, UNLESS PERMISSION IS OBTAINED IN WRITING FROM EXEL ACOUSTIC SL.</small>			Part Number HG-1		
					Sheet 1 of 1	