



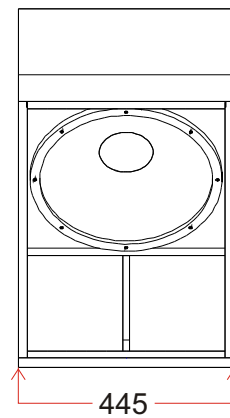
## Description

The KSH115 is a high sensitivity bass cabinet, equipped with one 15" driver, whose rear is coupled to a horn and front direct radiating. The result is a deep and fast response usable in long as well as short throw applications. The construction is birch plywood painted in texture black finish.

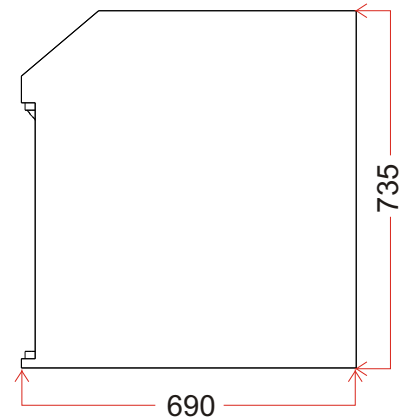
## Applications

The KSH115 can be used as a subwoofer in applications such as pubs, discos, theaters,...

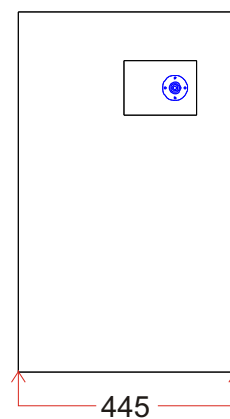
FRONT



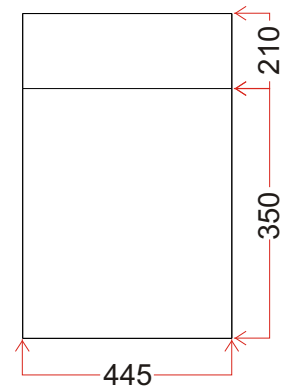
RIGHT



BACK



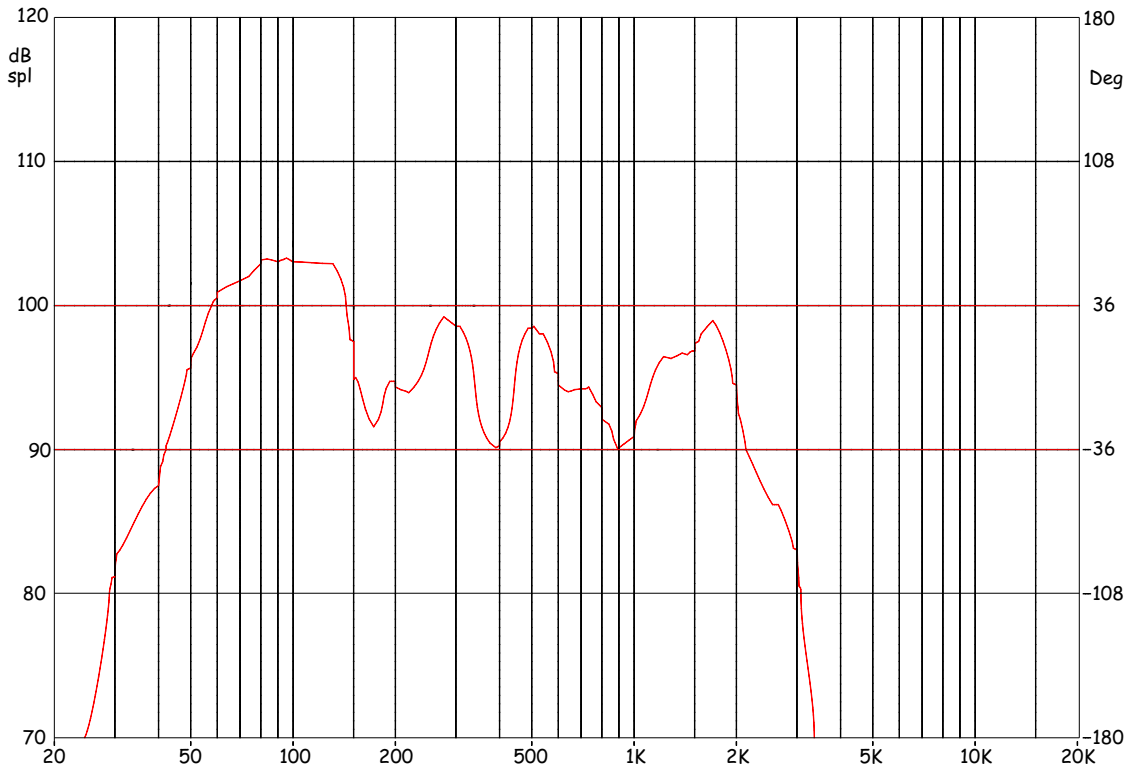
TOP



**TECHNICAL SPECIFICATIONS**

|                         |                             |
|-------------------------|-----------------------------|
| Frequency Response (Hz) | □ 3dB                       |
| Power Handling (Watts)  | 300 W RMS                   |
| Sensitivity             | 103 dB (1w/1m)              |
| Nominal peak            | 128 dB                      |
| Coverage angle          | N/A                         |
| Crossover               | up to 800 Hz                |
| Impedance               | 8 Ohm                       |
| Drivers                 | 1X15                        |
| Connectors              | 2x4 pin spk                 |
| Dimensions              | 73.5 x 44.5 x 69 cm (HxWxD) |
| Weight                  | 46 Kg                       |

**DIAGRAMS**



FREQUENCY RESPONSE CURVE



**tecnare**  
SOUND SYSTEMS

Is a™ Designed and manufactured in Spain by



Pº Ind. Monte Boyal. C/Encinar 282  
45950 Casarrubios del Monte (Toledo). SPAIN.  
Phone: +34 918 170 110  
Fax: +34 918 183 053  
www.tecnare.com  
exel@tecnare.com