

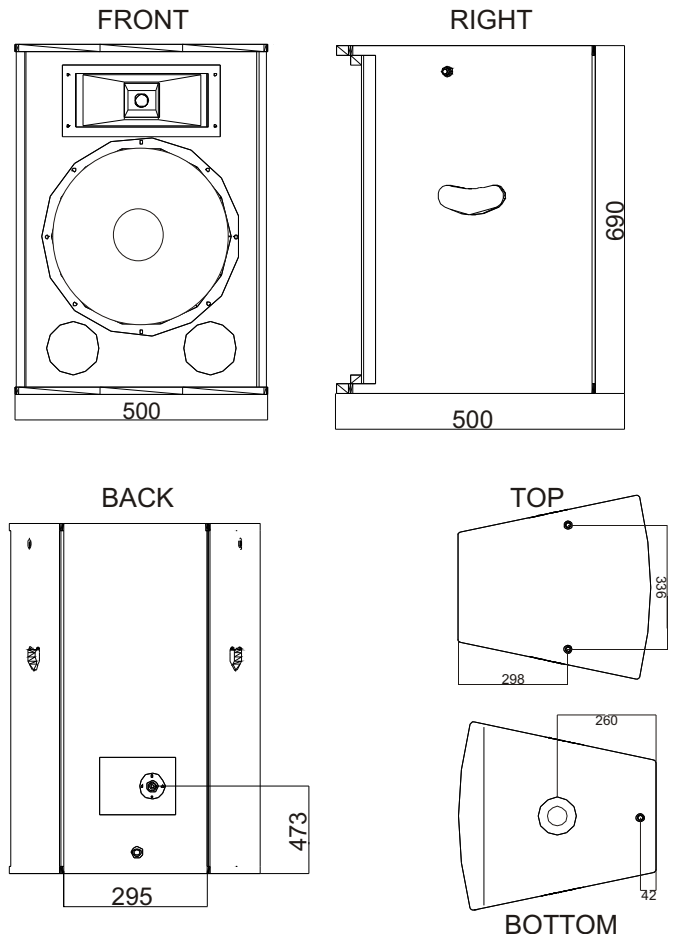
Description

K15 is a two way trapezoidal full range loudspeaker. Passively crossovered, this model is CAD tuned with a little ripple to enhance the bass response. The 3" voice coil 15" combines a very good low end performance with an excellent linearity up to 2.5 KHz, from which the 1" compression driver, coupled to a 90°x40° exponential horn, responds with a extremely flat curve. The K15 delivers very high pressure level and it's well suited for short throw applications. The cabinet is CMC machined and made of Baltic birch plywood, coated weatherproof in black texture finish. Flying hardware and a recessed floor stand socket are included.

Applications

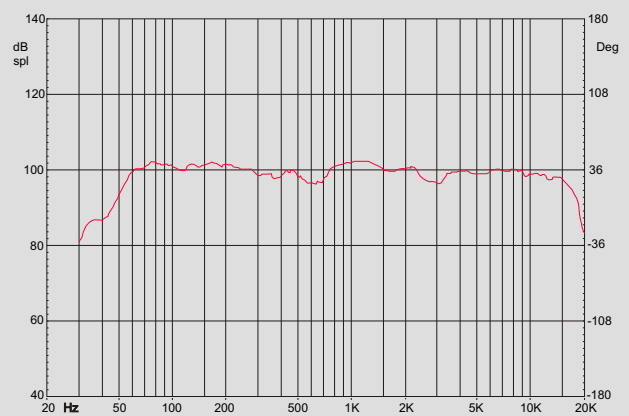
The K15 is designed for several audio applications.

- Small mobile audio
- Disco or live music installations
- Sports arena

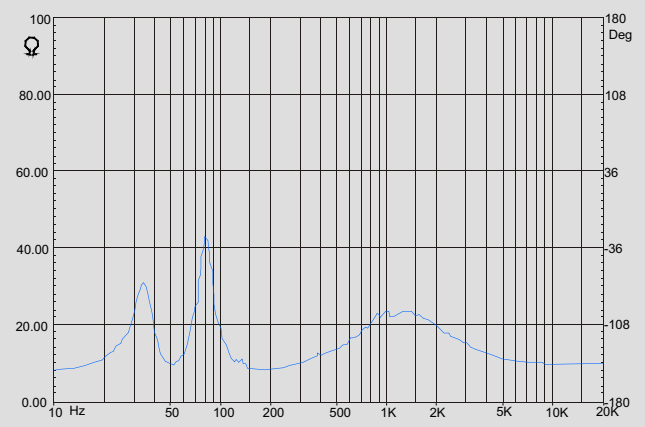


TECHNICAL SPECIFICATIONS | **DIAGRAMS**

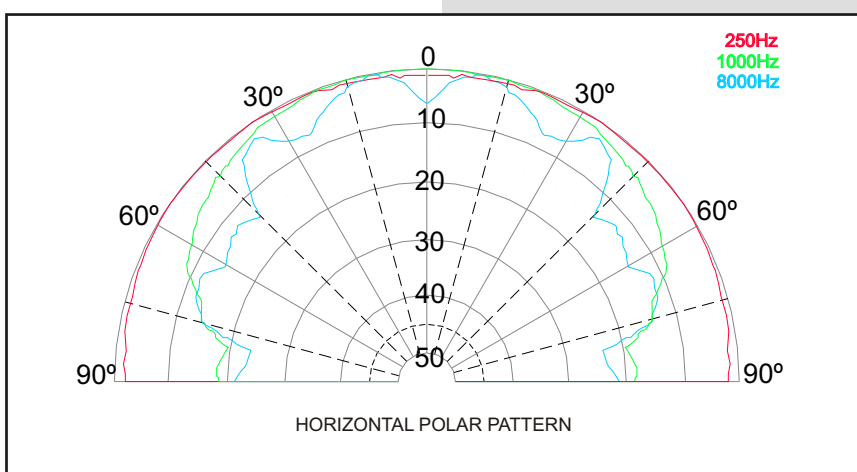
Frequency Response (Hz)	53 Hz-19KHz □ 3dB
Power Handling (Watts)	400 W RMS
Sensitivity	101 dB (1w/1m)
Nominal peak	127 dB
Coverage angle	90° horizontal 40° vertical
Crossover	2.2KHz passive, assymetrical slope
Impedance	8 Ohm
Drivers	LF: 1x15" HF: 1x1"+exponential horn
Connectors	2x4pin speakon
Dimensions	Trapezoidal 69x50F/29.5R x 50
Weight	33 Kg



FREQUENCY RESPONSE CURVE



IMPEDANCE CURVE



HORIZONTAL POLAR PATTERN

tecnaRE
SOUND SYSTEMS
 Is a™ Designed and
 manufactured in Spain by

EXBL
exclusivas electroacústicas s.a.

Pº Ind. Monte Boyal. C/Encinar 282
 45950 Casarrubios del Monte (Toledo). SPAIN.
 Phone: +34 918 170 110
 Fax: +34 918 183 053
www.tecnare.com
exel@tecnare.com