



Description

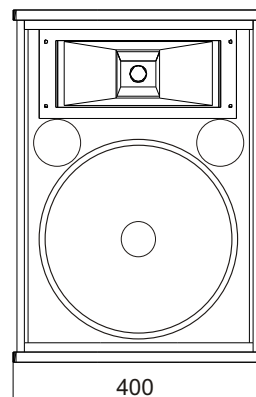
K12 is a two way trapezoidal loudspeaker enclosure designed to be used where small size and high output performance are required. It's a single amp system, housed with a high power 12" and a 1" compression driver, loaded into a 90°x40° exponential horn. The 3" voice coil woofer is tuned using CAD techniques. This full range passive system is particularly suitable for short throw applications, as the 12" is direct radiating. The K12 is made of birch plywood and coated in texture black finish. Flying hardware is included as standard as well as a recessed floor stand socket.

Applications

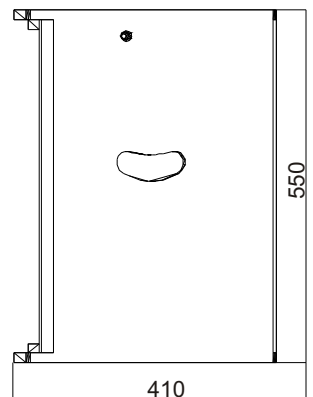
The K12 can easily suit a wide variety of audio applications.

- Small mobile audio
- Disco or live music installation
- Theater installation
- Sports arenas

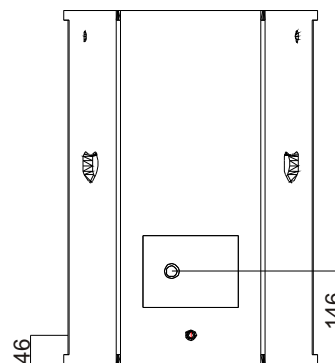
FRONT



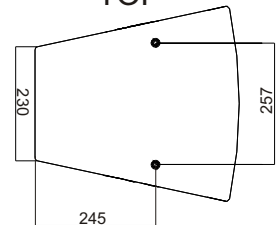
RIGHT



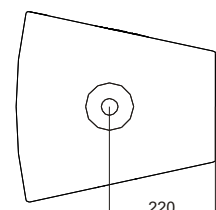
BACK



TOP

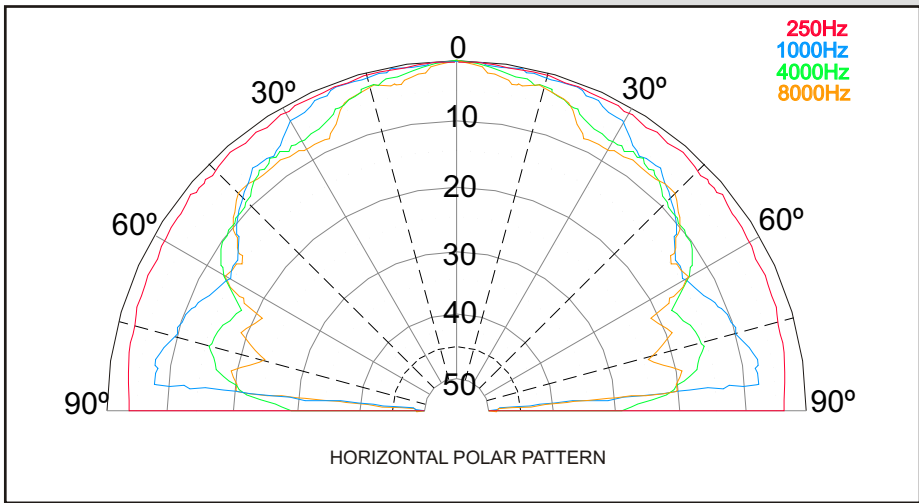
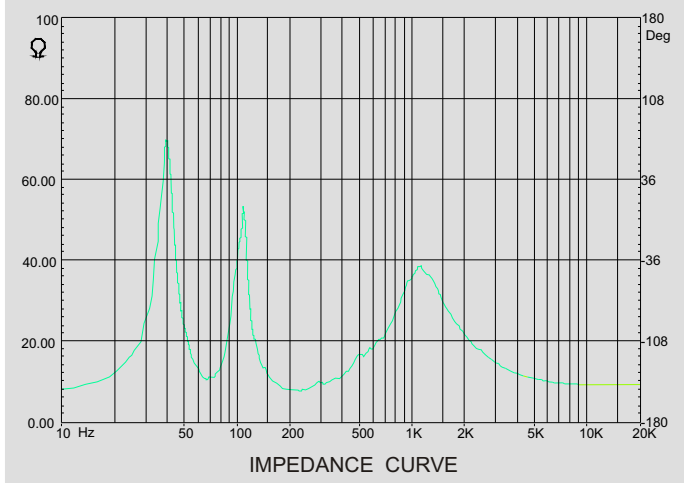
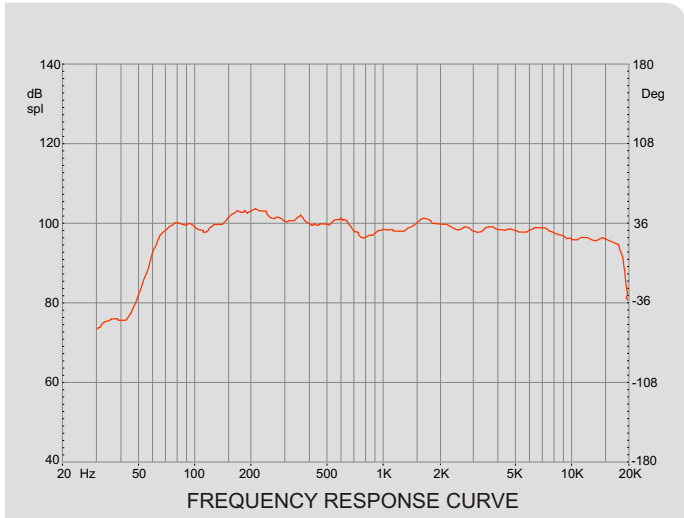


BOTTOM



TECHNICAL SPECIFICATIONS | **DIAGRAMS**

Frequency Response (Hz)	64 Hz-19KHz □ 3dB
Power Handling (Watts)	350 W RMS
Sensitivity	99 dB (1w/1m)
Nominal peak	125 dB
Coverage angle	90° horizontal 40° vertical
Crossover	2.4KHz passive, assymetrical slope
Impedance	8 Ohm
Drivers	LF: 1x12" HF: 1x1"+exponential horn
Connectors	2x4pin speakon
Dimensions	Trapezoidal 55x49F/23R x 40
Weight	20 Kg



tecnaRE
SOUND SYSTEMS
 Is a™ Designed and
 manufactured in Spain by

EXCEL
exclusivas electroacústicas s.a.

Pº Ind. Monte Boyal. C/Encinar 282
 45950 Casarrubios del Monte (Toledo). SPAIN.
 Phone: +34 918 170 110
 Fax: +34 918 183 053
 www.tecnare.com
 exel@tecnare.com